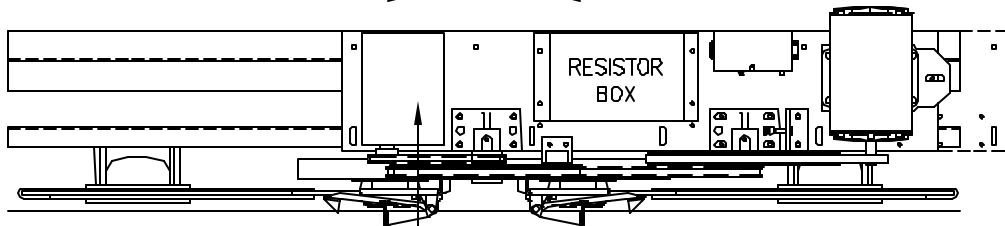
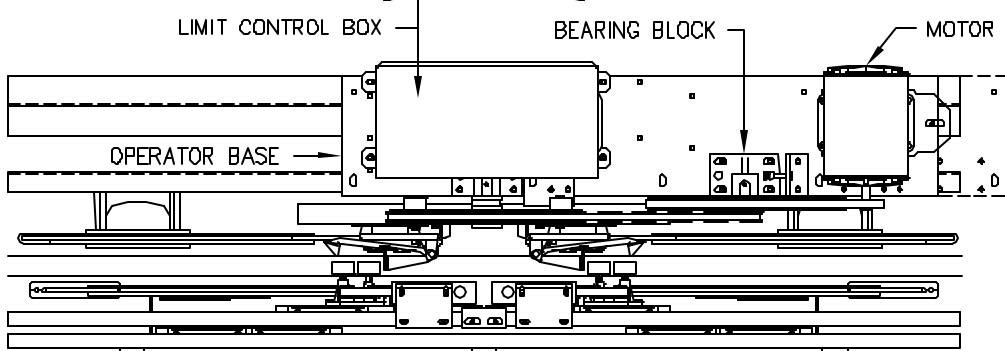


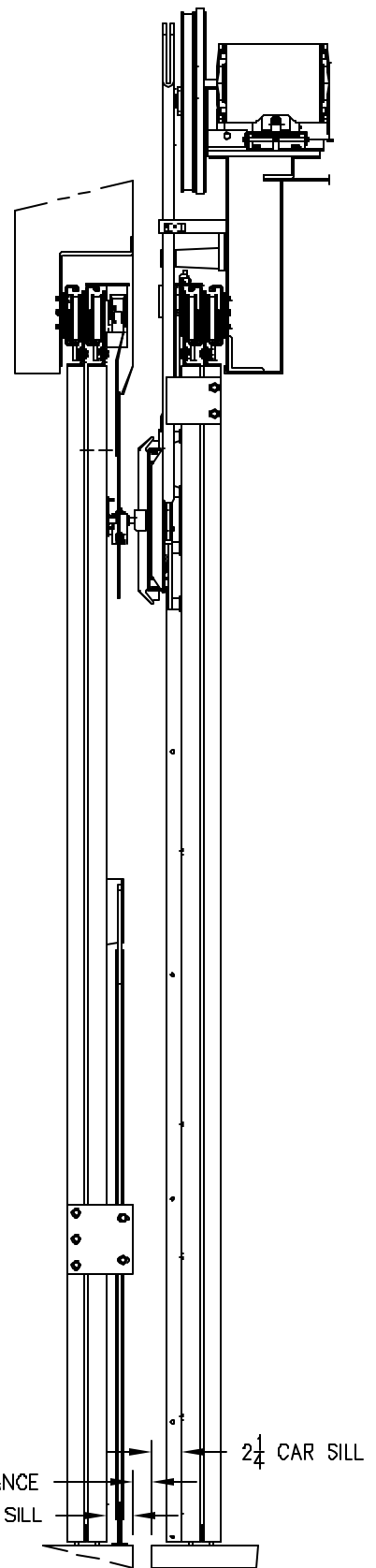
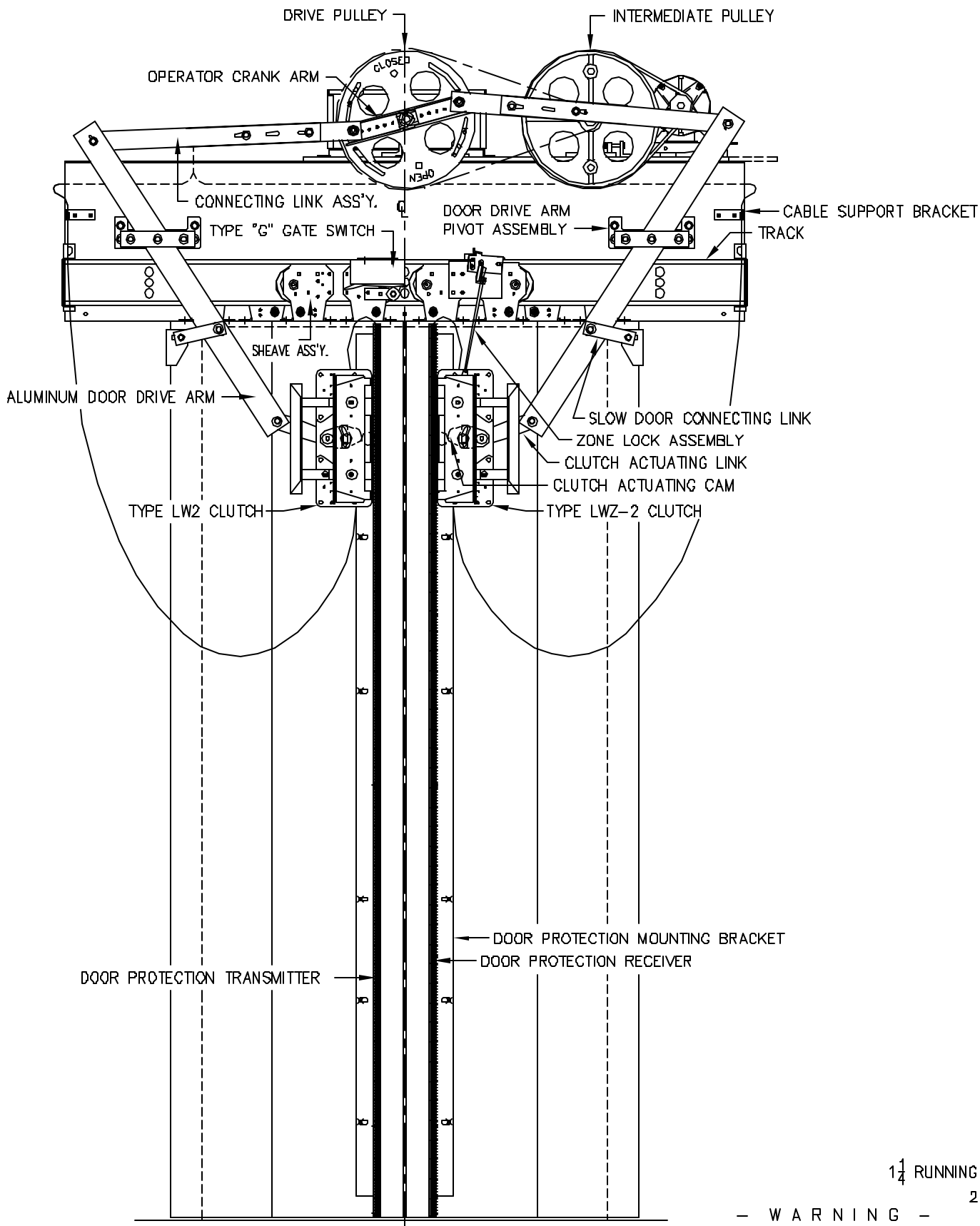
MODL



MOML/MOHL



MOVFR
MODCTL MOMCTL MOHCTL (SIMILAR)



- WARNING -
G.A.L. PROPRIETARY INFORMATION

REPRODUCTION AND/OR USE OF ALL OR ANY PART OF THIS (THESE) PAGE(S) OR DRAWING(S) OR THE INFORMATION HEREIN, WITHOUT THE EXPRESS PERMISSION OF G.A.L. MANUFACTURING CORPORATION IS STRICTLY PROHIBITED BY LAW.

CERTAIN EQUIPMENT COVERED UNDER:
U.S. PAT. 4364454
U.K. PAT. 2085840
CAN. PAT. 1168464
4423799 2112352 1179702

- VIOLATORS WILL BE PROSECUTED -

NOTE
WHEN ORDERING REFER TO CATALOG PART NUMBER
FOR CAR DOOR DRILLINGS REFER TO DWG. 8235-1
FOR OPERATOR LAYOUT REFER TO DWG. DATA25

REV	DESCRIPTION	DATE	ECN
C	LWZ-2 CLUTCH ADDED	10-19-05	
B	MOVFR OPERATOR ADDED	5-28-04	
A	MOCT OPERATOR ADDED	9-13-95	



G.A.L. MANUFACTURING CORP.
50 E. 153rd STREET BRONX, N.Y. 10451

TWO SPEED CENTER OPENING CAR ASSEMBLY
TYPE "A" HANGER 33-73 DOOR OPENING W/INFRARED DOOR PROTECTION

DRAWN BY GAVIRIA A.	DATE 8-31-94
ENGINEER VARON J.	SHEET OF
SCALE 5/64	SIZE
PART No.	REV
DOCUMENT No. 8225-1	C