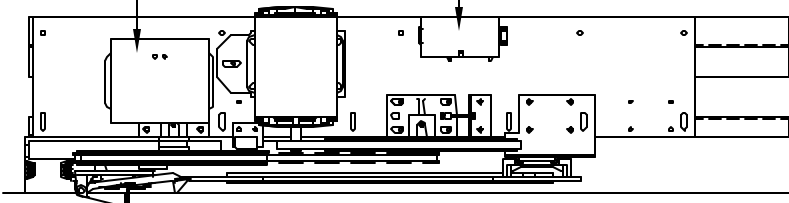
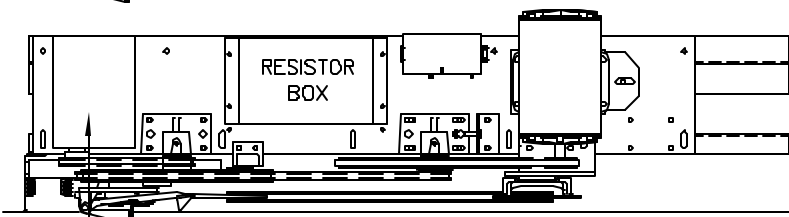


LIMIT CONTROL BOX DOOR PROTECTION POWER SUPPLY

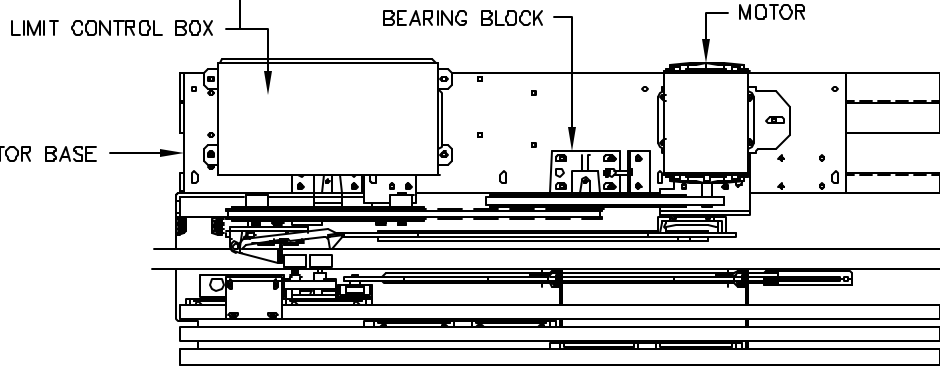
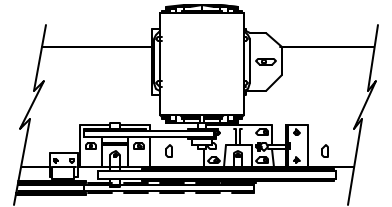


MODL



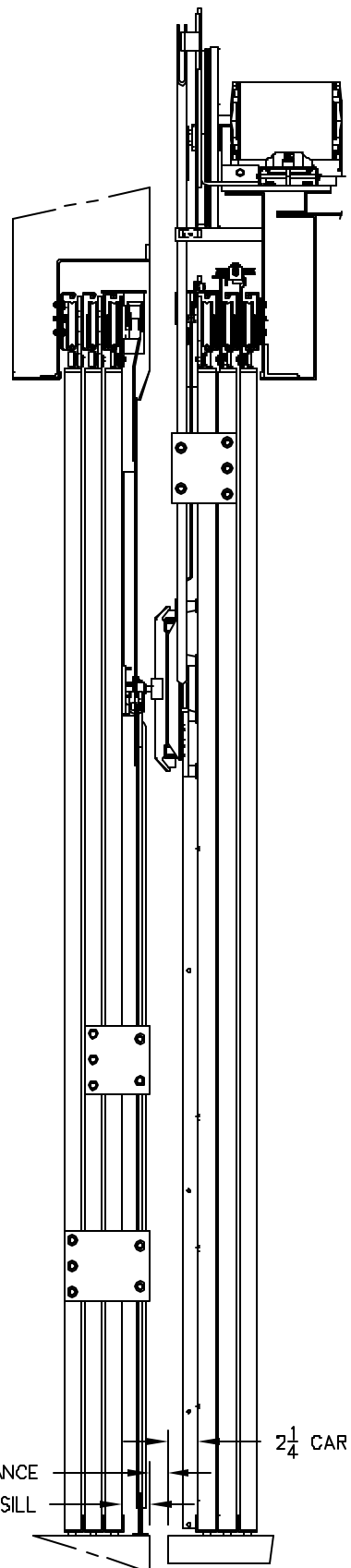
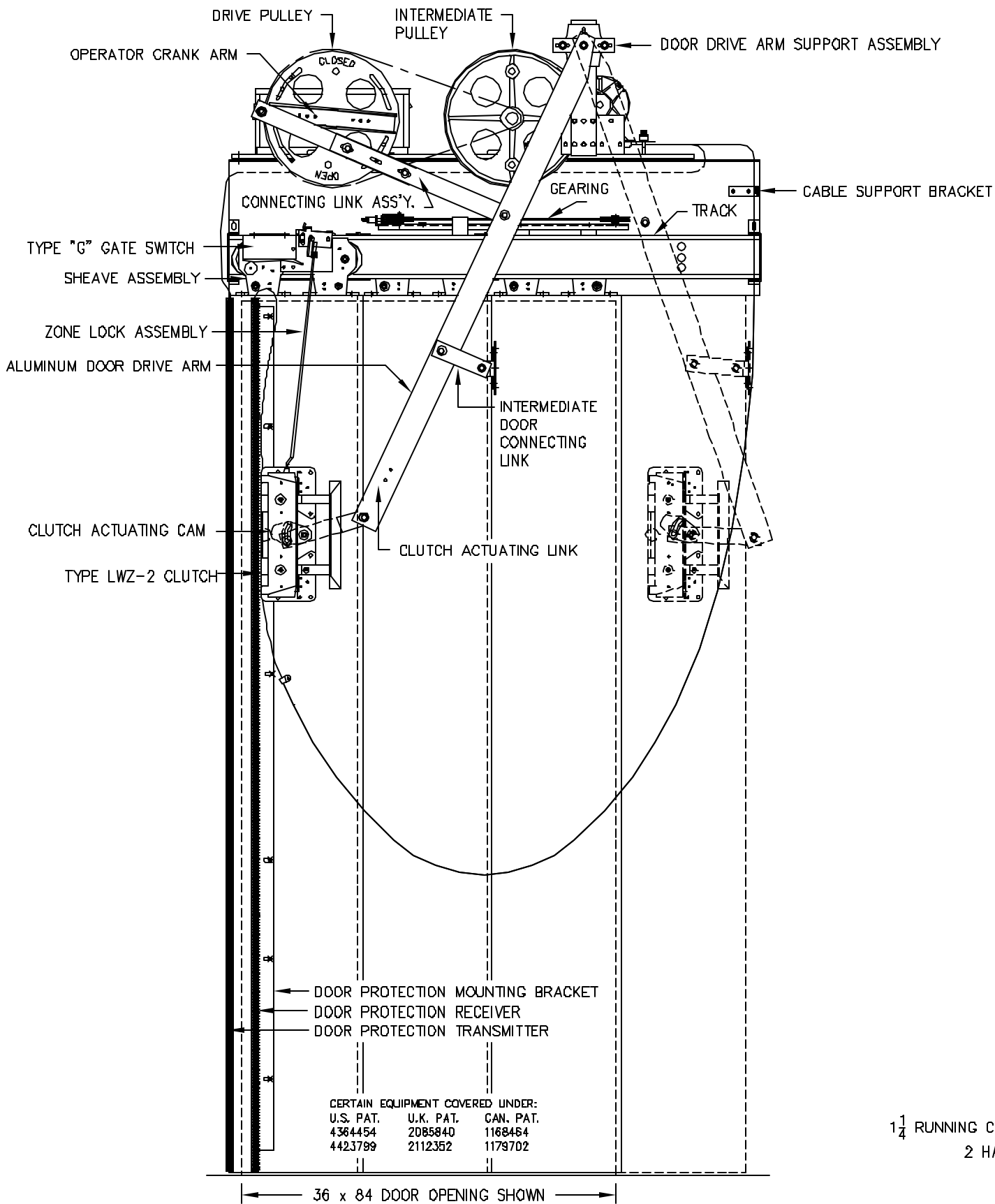
MOML/MOHL

60-69 D.O. REDUCTION UNIT IS SUPPLIED ON MOMCTL, MOHCTL, MOML, AND MOHL OPERATORS



MOVFR
MODCTL MOMCTL
MOHCTL (SIMILAR)

OPERATOR BASE



CERTAIN EQUIPMENT COVERED UNDER:
U.S. PAT. 4364454 4423789 U.K. PAT. 2085840 2112352 CAN. PAT. 1168464 1179702

1/4" RUNNING CLEARANCE
2 HATCH SILL

NOTE
WHEN ORDERING REFER TO CATALOG PART NUMBER
FOR CAR DOOR DRILLINGS REFER TO DWG. 8234
FOR OPERATOR LAYOUT REFER TO DWG. DATA24

- WARNING -
G.A.L. PROPRIETARY INFORMATION
REPRODUCTION AND/OR USE OF ALL OR ANY
PART OF THIS (THESE) PAGE(S) OR DRAWING(S)
OR THE INFORMATION HEREIN, WITHOUT THE
EXPRESS PERMISSION OF G.A.L. MANUFACTURING
CORPORATION IS STRICTLY PROHIBITED BY LAW.
- VIOLATORS WILL BE PROSECUTED -

LEFT HAND SHOWN
RIGHT HAND OPPOSITE

REV	DESCRIPTION	DATE	ECN
C	LWZ-2 CLUTCH ADDED	08-22-06	
B	MOVFR OPERATOR ADDED	5-28-04	
A	MOCT OPERATOR ADDED	9-13-95	



G.A.L. MANUFACTURING CORP.
50 E. 153rd STREET BRONX, N.Y. 10451

THREE SPEED CAR ASSEMBLY
TYPE "A" HANGER 30-69 DOOR OPENING W/INFRARED DOOR PROTECTION

DRAWN BY GAVIRIA A.	DATE 1-29-96
ENGINEER VARON J.	SHEET OF
SCALE 5/64	SIZE
PART No.	REV
DOCUMENT No. 8224-1	C