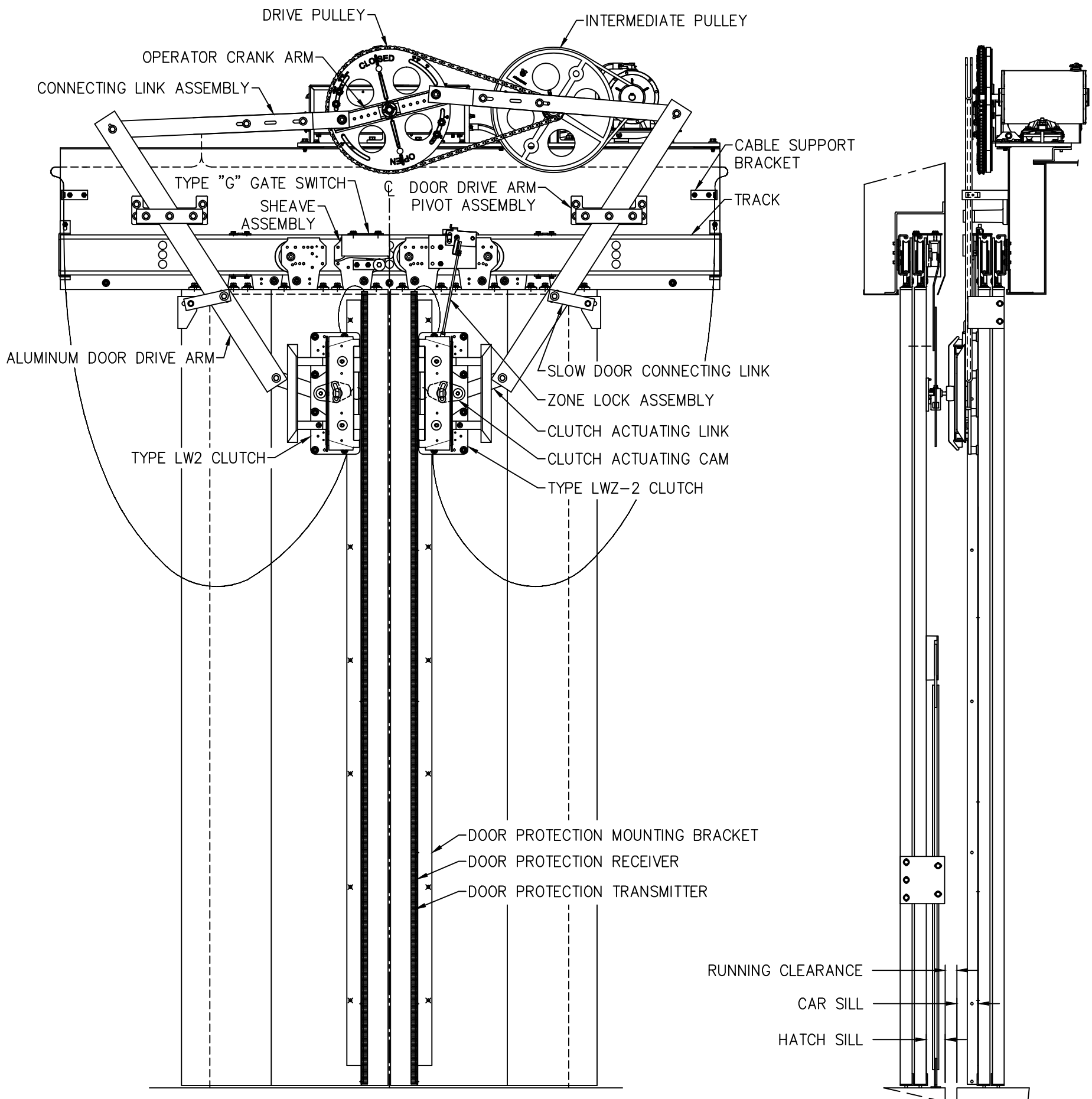


MODL

MOHL

MOVFR  
MODCTL MOHCTL (SIMILAR)



- WARNING -  
G.A.L. PROPRIETARY INFORMATION  
REPRODUCTION AND/OR USE OF ALL OR ANY PART OF THIS (THESE) PAGE(S) OR DRAWING(S) OR THE INFORMATION HEREIN, WITHOUT THE EXPRESS PERMISSION OF G.A.L. MANUFACTURING CORPORATION IS STRICTLY PROHIBITED BY LAW.  
- VIOLATORS WILL BE PROSECUTED -

REV	DESCRIPTION	DATE
E	DRAWING UPDATE	12-17-13
D	TEMPLATE AND MOVFR UPDATED	07-10-13
C	LWZ-2 CLUTCH ADDED	10-19-05
B	MOVFR OPERATOR ADDED	05-28-04
A	MOCT OPERATOR ADDED	09-13-95

**TWO SPEED CENTER OPENING CAR ASSEMBLY**  
TYPE "A" HANGER 33-77 DOOR OPENING WITH INFRARED DOOR PROTECTION

<b>G.A.L. MANUFACTURING CORP.</b> 50 E. 153rd STREET, BRONX, N.Y. 10451 PHONE: (718) 292-9000, FAX: (718) 292-2034 www.GAL.com, info@GAL.com	DATE 08-31-1994 DOCUMENT No. 8225-1	REV E
---	--	-------