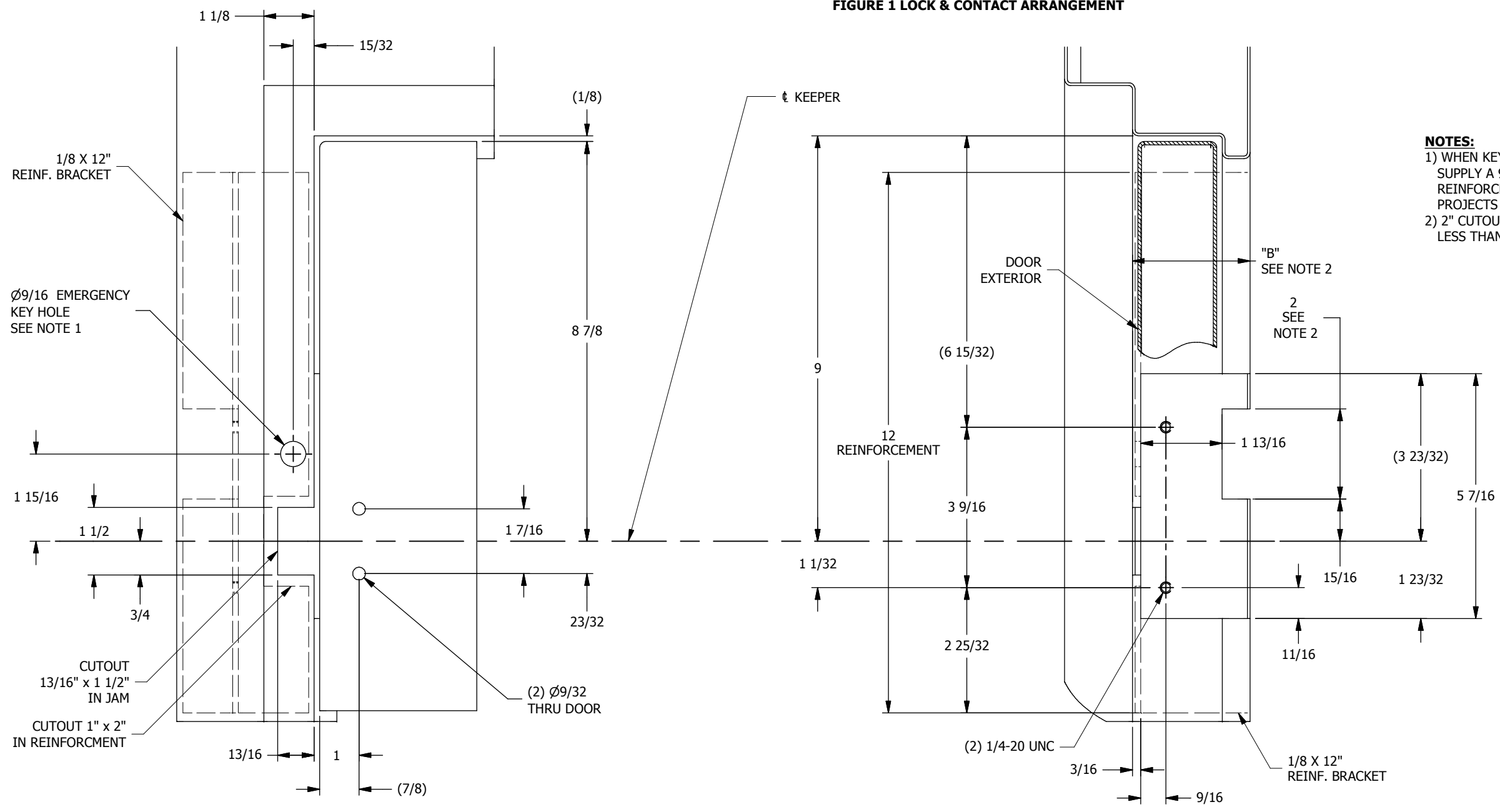
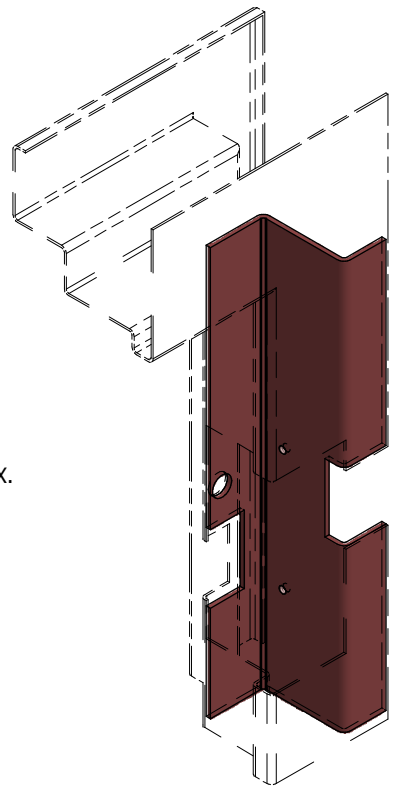


FIGURE 2 LOCK & CONTACT ARRANGEMENT
USES THE SAME CUTOUTS AND REINFORCEMENTS

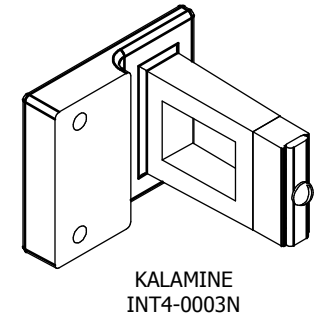
FIGURE 1 LOCK & CONTACT ARRANGEMENT



- NOTES:**
- 1) WHEN KEY HOLE IS NOT REQUIRED, SUPPLY A 9/16 HOLE THROUGH REINFORCEMENT ANGLE. LOCK SHAFT PROJECTS SLIGHTLY PAST SIDE OF BOX.
 - 2) 2" CUTOUT NOT REQUIRED IF "B" IS LESS THAN 2".



LH SHOWN
RH OPPOSITE



KALAMINE
INT4-0003N

"SN" LOCK AND CONTACT FLUSH MOUNTED DOOR & JAMB DRILLINGS & REINFORCEMENTS FOR KALAMINE SWINGING DOOR INSTALLATIONS

UNLESS OTHERWISE SPECIFIED DIMENSIONS ARE IN INCHES (X.XX) = X.XX REF. = REFERENCE ONLY
G.A.L. MANUFACTURING CORP.
 50 East 153rd St. Bronx, NY 10451 (718)292-9000
 SHEET 1 OF 1 REV. A
 PART/DOCUMENT #
8715-03