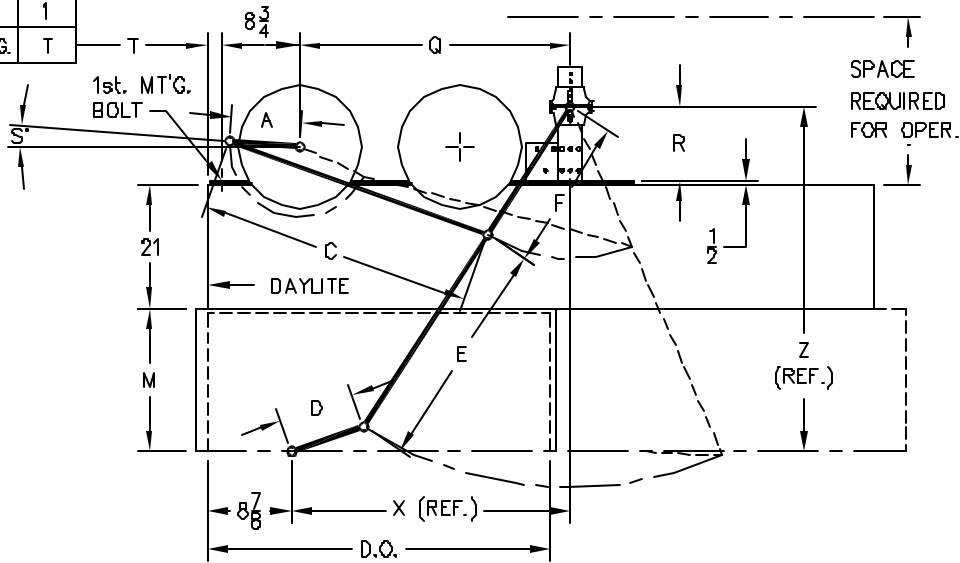


45-48	6
30-44	1
DOOR OPNG.	T



MOVFR	15
MOCT	
MOD	
MOM-MOH	19
MOMCT	
MOHCT	

48	8 1/8	34 5/8	12	38	21	23	39 5/8	55 7/8	33 1/4	11 3/8	5'
47	8 5/8	34 1/8	12	38	21	23	39 5/8	55 7/8	33 1/4	11 3/8	5'
46	8 7/8	33 15/8	12	38	21	23	39 5/8	55 7/8	33 1/4	11 3/8	5'
45	8 1/4	33 3/4	12	38	21	23	39 5/8	55 7/8	33 1/4	11 3/8	5'
44	8 7/8	36	10	30	21	19	34 5/8	47 7/8	33 1/4	7 3/8	12'
43	8 3/4	35 7/8	10	30	21	19	34 5/8	47 7/8	33 1/4	7 3/8	12'
42	8 5/8	35 3/4	10	30	21	19	34 5/8	47 7/8	33 1/4	7 3/8	12'
41	8 1/2	35 5/8	10	30	21	19	34 5/8	47 7/8	33 1/4	7 3/8	12'
40	8 3/8	35 1/2	10	30	21	19	34 5/8	47 7/8	33 1/4	7 3/8	12'
39	7 3/8	30 5/8	8	29	18	15	29 1/4	44 1/2	28 3/8	8	10'
38	7 1/4	30	8	29	18	15	29 1/4	44 1/2	28 3/8	8	10'
37	7 1/8	29 7/8	8	29	18	15	29 1/4	44 1/2	28 3/8	8	10'
36	7	29 5/8	8	29	18	15	29 1/4	44 1/2	28 3/8	8	10'
35	6 7/8	29 1/2	8	29	18	15	29 1/4	44 1/2	28 3/8	8	10'
34	5 1/2	25 3/8	6	32	15	15	25 1/4	44 3/4	24 3/8	8 1/4	5'
33	5 3/8	25 1/4	6	32	15	15	25 1/4	44 3/4	24 3/8	8 1/4	5'
32	5 1/4	25 1/8	6	32	15	15	25 1/4	44 3/4	24 3/8	8 1/4	5'
31	5 1/8	24 3/8	6	32	15	15	24 3/8	45 1/8	23 1/2	8 5/8	5'
30	4 7/8	24 1/4	6	32	15	15	24 3/8	45 1/8	23 1/2	8 5/8	5'
INCHES	A	C	D	E	F	M	X	Z	Q	R	S

DOOR OPENING OPERATOR ARMS DOOR ARMS CLUTCH PIVOT OPERATOR



SINGLE SPEED & TWO SPEED OPERATOR DATA TABLE
30-48 D.O. FOR HIGH CABS 21" HEADER

FEB. 23 1987
S6898-21