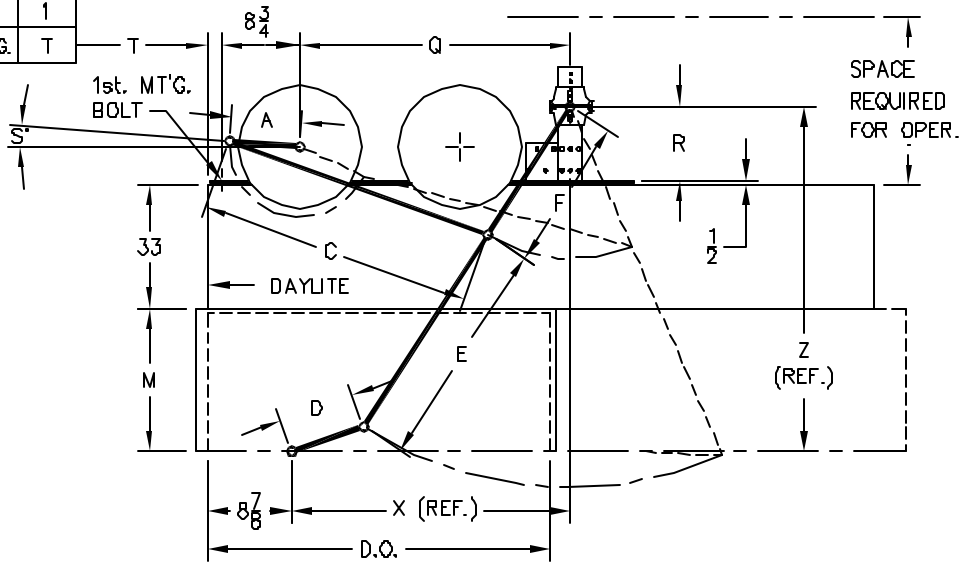


45-48	6
30-44	1
DOOR OPNG.	T



MOVFR	15
MOCT MOD	
MOM-MOH	19
MOMCT MOHCT	

48	7 ³ / ₈	34 ⁷ / ₈	12	48	21	23	39 ⁵ / ₈	67	33 ¹ / ₄	10 ¹ / ₂	5'
47	7 ¹ / ₄	34 ³ / ₄	12	48	21	23	39 ⁵ / ₈	67	33 ¹ / ₄	10 ¹ / ₂	5'
46	7 ¹ / ₈	34 ⁵ / ₈	12	48	21	23	39 ⁵ / ₈	67	33 ¹ / ₄	10 ¹ / ₂	5'
45	7	34 ¹ / ₂	12	48	21	23	39 ⁵ / ₈	67	33 ¹ / ₄	10 ¹ / ₂	5'
44	7 ³ / ₈	36 ³ / ₈	10	41	21	19	34 ⁵ / ₈	60 ¹ / ₈	33 ¹ / ₄	7 ⁵ / ₈	12'
43	7 ¹ / ₈	36 ¹ / ₄	10	41	21	19	34 ⁵ / ₈	60 ¹ / ₈	33 ¹ / ₄	7 ⁵ / ₈	12'
42	7	36 ¹ / ₈	10	41	21	19	34 ⁵ / ₈	60 ¹ / ₈	33 ¹ / ₄	7 ⁵ / ₈	12'
41	6 ⁷ / ₈	36	10	41	21	19	34 ⁵ / ₈	60 ¹ / ₈	33 ¹ / ₄	7 ⁵ / ₈	12'
40	6 ³ / ₄	35 ⁷ / ₈	10	41	21	19	34 ⁵ / ₈	60 ¹ / ₈	33 ¹ / ₄	7 ⁵ / ₈	12'
39	6	30 ¹ / ₂	8	40	18	15	29 ¹ / ₄	56 ¹ / ₂	28 ³ / ₈	8	10'
38	5 ⁷ / ₈	30 ³ / ₈	8	40	18	15	29 ¹ / ₄	56 ¹ / ₂	28 ³ / ₈	8	10'
37	5 ³ / ₄	30 ¹ / ₄	8	40	18	15	29 ¹ / ₄	56 ¹ / ₂	28 ³ / ₈	8	10'
36	5 ⁵ / ₈	30 ¹ / ₈	8	40	18	15	29 ¹ / ₄	56 ¹ / ₂	28 ³ / ₈	8	10'
35	5 ¹ / ₂	30	8	40	18	15	29 ¹ / ₄	56 ¹ / ₂	28 ³ / ₈	8	10'
34	5 ¹ / ₈	26	6	42	17	15	25 ¹ / ₄	57 ³ / ₄	24 ³ / ₈	9 ¹ / ₄	10'
33	4 ³ / ₄	25 ⁷ / ₈	6	42	17	15	25 ¹ / ₄	57 ³ / ₄	24 ³ / ₈	9 ¹ / ₄	10'
32	4 ⁵ / ₈	25 ³ / ₄	6	42	17	15	25 ¹ / ₄	57 ³ / ₄	24 ³ / ₈	9 ¹ / ₄	10'
31	4 ¹ / ₂	25	6	42	17	15	24 ³ / ₈	58	23 ¹ / ₂	9 ¹ / ₂	10'
30	4 ³ / ₈	24 ⁷ / ₈	6	42	17	15	24 ³ / ₈	58	23 ¹ / ₂	9 ¹ / ₂	10'
INCHES	A	C	D	E	F	M	X	Z	Q	R	S
DOOR OPENING	OPERATOR ARMS		DOOR ARMS			CLUTCH	PIVOT		OPERATOR		



SINGLE SPEED & TWO SPEED OPERATOR DATA TABLE
30-48 D.O. FOR HIGH CABS 33" HEADER

FEB. 23 1987

S6898-33