



## G.A.L. Manufacturing Corporation

50 East 153rd Street,  
Bronx, N.Y. 10451

Phone 718-292-9000  
Toll Free 877-425-3538  
877-425-7763

Fax 718-292-2034  
Web [www.gal.com](http://www.gal.com)  
E-mail [info@gal.com](mailto:info@gal.com)

### CAR DOOR HANGER

MODEL	ITEM	PART DWG. No.
SS DOORS TYPE A	CAR DOOR HANGER	CDH-1
2SP DOORS TYPE A	CAR DOOR HANGER	CDH-2
CP DOORS TYPE A	CAR DOOR HANGER	CDH-3
2SCP DOORS TYPE A	CAR DOOR HANGER	CDH-4



G.A.L. MANUFACTURING CORP.

January 4, 1978

Subject: 6195 Series Type "A" Cast  
Hanger Sheave Assembly

TO WHOM IT MAY CONCERN:

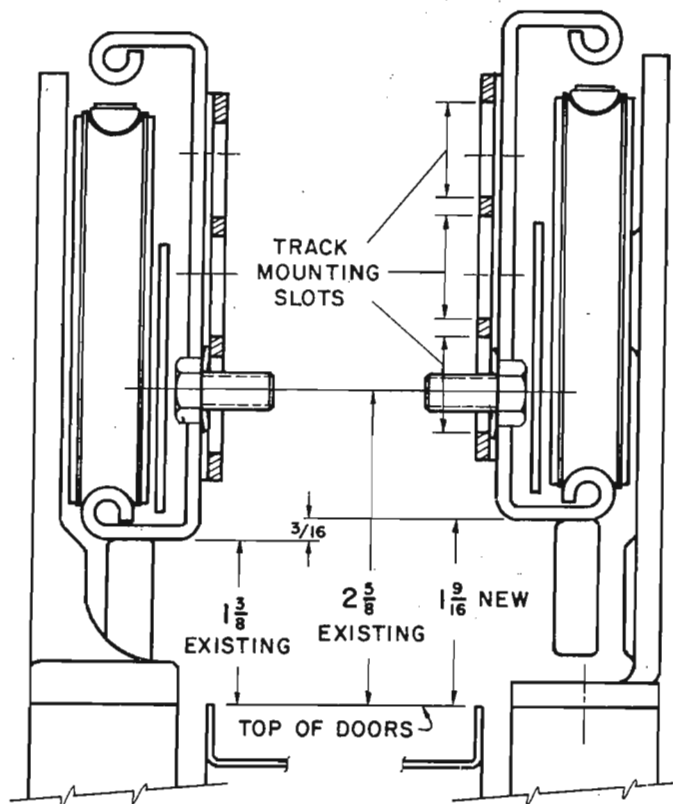
The 6195 Series Type "A" Cast Hanger Sheave Assembly is no longer available. The replacement is M-6410 Series Steel Sheave Assembly.

When a replacement sheave assembly is required, it is strongly recommended that a complete set of hanger sheaves be replaced.

You will have to adjust the hanger track by raising it  $\frac{3}{16}$ " to accept the M-6410 series replacement sheave assembly. There is sufficient adjustment in the track.

CAST SHEAVES

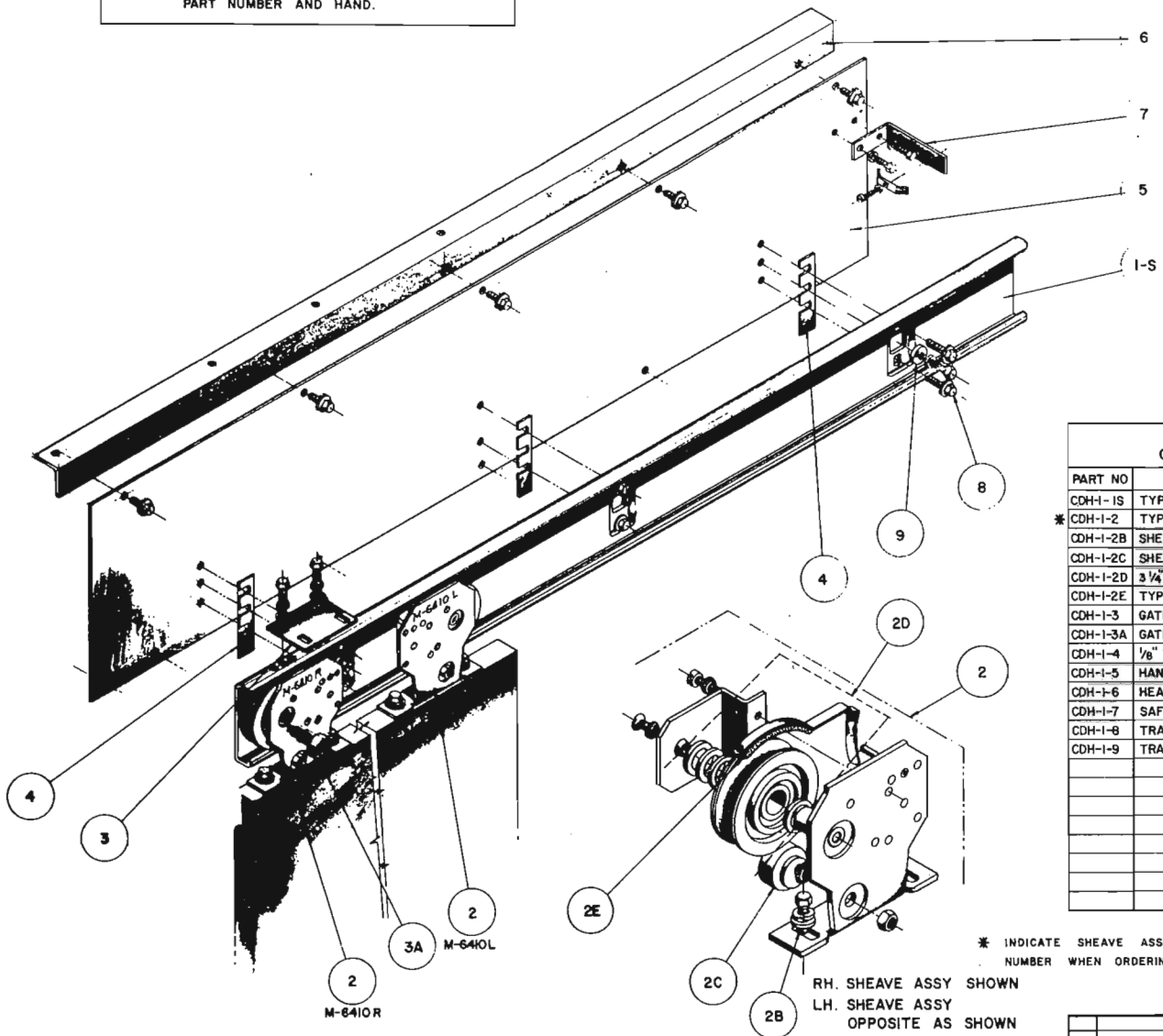
STEEL FORMED SHEAVES



P.S. We recommend that the replaced reusable cast sheaves be stocked for future installation. We can supply replacement roller kits and hanger sheave eccentrics for this assembly.

SV. BUL. 010478

NOTE : WHEN ORDERING SPECIFY DOOR OPENING WIDTH, AND OR, LENGTH OF TRACK, PART NUMBER AND HAND.



L H SHOWN  
R H OPPOSITE AS SHOWN

TYPE "A" SINGLE SPEED  
CAR DOOR HANGER (PARTS LIST)

PART NO	DESCRIPTION
CDH-1S	TYPE "A" SINGLE DOOR TRACK (INCLUDES PARTS 8,9)
* CDH-1-2	TYPE "A" SHEAVE ASSEMBLY (2) REQUIRED
CDH-1-2B	SHEAVE PENDANT BOLT 3/8"-16 X 1 1/2" H.D. & WASHERS
CDH-1-2C	SHEAVE ECCENTRIC ROLLER ASSY
CDH-1-2D	3 1/4" NH ROLLER KIT (INCLUDE 2E)
CDH-1-2E	TYPE "A" OILER CLEANER
CDH-1-3	GATE SWITCH MOUNTING PLATE
CDH-1-3A	GATE SWITCH ROLLER & BOLT
CDH-1-4	1/8" TRACK SPACER
CDH-1-5	HANGER HEADER PLATE (ADVISE LENGTH & HEIGHT)
CDH-1-6	HEADER OPERATOR SUPPORT ANGLE
CDH-1-7	SAFETY EDGE CABLE SUPPORT BRACKET S/S
CDH-1-8	TRACK MOUNTING SCREWS (5/16"-18 X 3/8 SEMMS)
CDH-1-9	TRACK ADJUSTING ECCENTRIC AND SCREWS

\* INDICATE SHEAVE ASSEMBLY NUMBER WHEN ORDERING.

RH. SHEAVE ASSY SHOWN  
LH. SHEAVE ASSY OPPOSITE AS SHOWN

M-6410R  
M-6410L



TYPE "A"  
SINGLE SPEED  
CAR DOOR HANGER

SCALE				DATE 9-19-74			
I	MIN. SALES	7-78	DWG. BY	S. C. H.			
NO.	REVISION	DATE	CHK. BY		CDH-1		

12 14B 14A

11 10

M-6410 IR

2

14

4

15

15

5

1F

L H SHOWN  
R H OPPOSITE AS SHOWN

TYPE "A" TWO SPEED  
CAR DOOR HANGER (PART LIST)

PART NO.	DESCRIPTION
CDH-2-1S	TYPE "A" SLOW DOOR TRACK (INCLUDES PARTS 8 & 9)
CDH-2-1F	TYPE "A" FAST DOOR TRACK
CDH-2-2	TYPE "A" SHEAVE ASSY (4 REQ'D L.H. & R.H.)
CDH-2-2B	SHEAVE PENDANT BOLT 3/8-10 X 1 1/2 H. HD & WASHERS
CDH-2-2C	SHEAVE ECCENTRIC ROLLER ASSY
CDH-2-2D	3/4 INH ROLLER KIT (INCLUDE PART CDH-2-2E)
CDH-2-2E	TYPE "A" OILER CLEANER
CDH-2-3	GATE SWITCH MOUNTING PLATE (MO)
CDH-2-3A	GATE SWITCH ROLLER & BOLT
CDH-2-4	1/8 TRACK SPACER
CDH-2-5	END SUPPORT BRACKETS (L.H. & R.H.)
CDH-2-6	TOP SUPPORT BRACKET
CDH-2-7	BOTTOM FAST TRACK SUPPORT ANGLE
CDH-2-8	TRACK MOUNTING SCREWS (7/8-16 X 3/8 SEMMB)
CDH-2-9	TRACK ADJUSTING ECCENTRIC AND SCREWS
CDH-2-10	HANGER HEADER PLATE (ADVISE LENGTH & HEIGHT)
CDH-2-11	HEADER OPERATOR SUPPORT ANGLE
CDH-2-12	GEARING CABLE SLOW DOOR ANCHOR CLAMP
CDH-2-13	GEARING CABLE FAST DOOR CLAMP
CDH-2-14	GEARING BAR ASSY (ADVISE # OF PULLEY PINS)
CDH-2-14A	GEARING PULLEY (NYLON)
CDH-2-14B	GEARING CABLE (ADVISE # DIST. OF PULLEY PINS)
CDH-2-14C	2/SP TENSION PULLEY ASSY
CDH-2-14D	TENSION SPRING
CDH-2-15	SAFETY EDGE CABLE SUPPORT BRACKET 2/SP

2D  
2  
2E  
2C  
2B  
RH. SHEAVE ASSY SHOWN  
L.H. SHEAVE ASSY  
OPPOSITE AS SHOWN

\* INDICATE SHEAVE ASSEMBLY  
NUMBER WHEN ORDERING.

NOTE  
FLAT WASHER REQUIRED.

NOTE : WHEN ORDERING SPECIFY DOOR  
OPENING WIDTH, AND OR, LENGTH OF  
TRACK, PART NUMBER AND HAND.



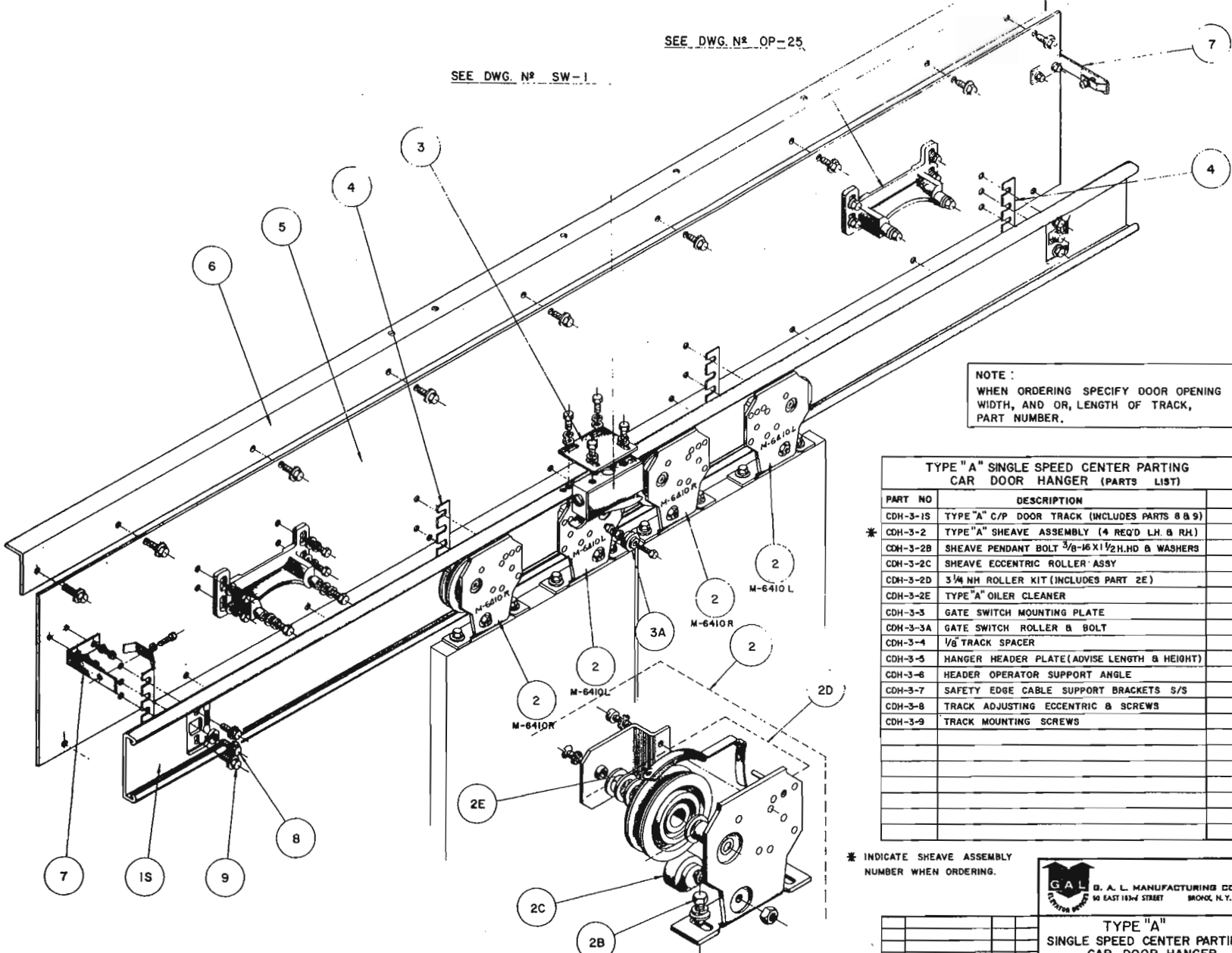
TYPE "A"  
TWO SPEED  
CAR DOOR HANGER

SCALE		DATE 10. 3. 1974	
1	MIN. SALES	7-78	DWG. BY S. C. H.
NO.	REVISION	DATE	CHK. BY

CDH-2

SEE DWG. N<sup>o</sup> OP-25

SEE DWG. N<sup>o</sup> SW-1



**NOTE:**  
WHEN ORDERING SPECIFY DOOR OPENING WIDTH, AND OR, LENGTH OF TRACK, PART NUMBER.

TYPE "A" SINGLE SPEED CENTER PARTING CAR DOOR HANGER (PARTS LIST)	
PART NO	DESCRIPTION
CDH-3-1S	TYPE "A" C/P DOOR TRACK (INCLUDES PARTS 8 & 9)
* CDH-3-2	TYPE "A" SHEAVE ASSEMBLY (4 REQ'D LH. & RH.)
CDH-3-2B	SHEAVE PENDANT BOLT $\frac{3}{8}$ -16 X $1\frac{1}{2}$ H.H.D & WASHERS
CDH-3-2C	SHEAVE ECCENTRIC ROLLER ASSY
CDH-3-2D	$\frac{3}{4}$ " NH ROLLER KIT (INCLUDES PART 2E)
CDH-3-2E	TYPE "A" OILER CLEANER
CDH-3-3	GATE SWITCH MOUNTING PLATE
CDH-3-3A	GATE SWITCH ROLLER & BOLT
CDH-3-4	$\frac{1}{8}$ " TRACK SPACER
CDH-3-5	HANGER HEADER PLATE (ADVISE LENGTH & HEIGHT)
CDH-3-6	HEADER OPERATOR SUPPORT ANGLE
CDH-3-7	SAFETY EDGE CABLE SUPPORT BRACKETS S/S
CDH-3-8	TRACK ADJUSTING ECCENTRIC & SCREWS
CDH-3-9	TRACK MOUNTING SCREWS

\* INDICATE SHEAVE ASSEMBLY NUMBER WHEN ORDERING.



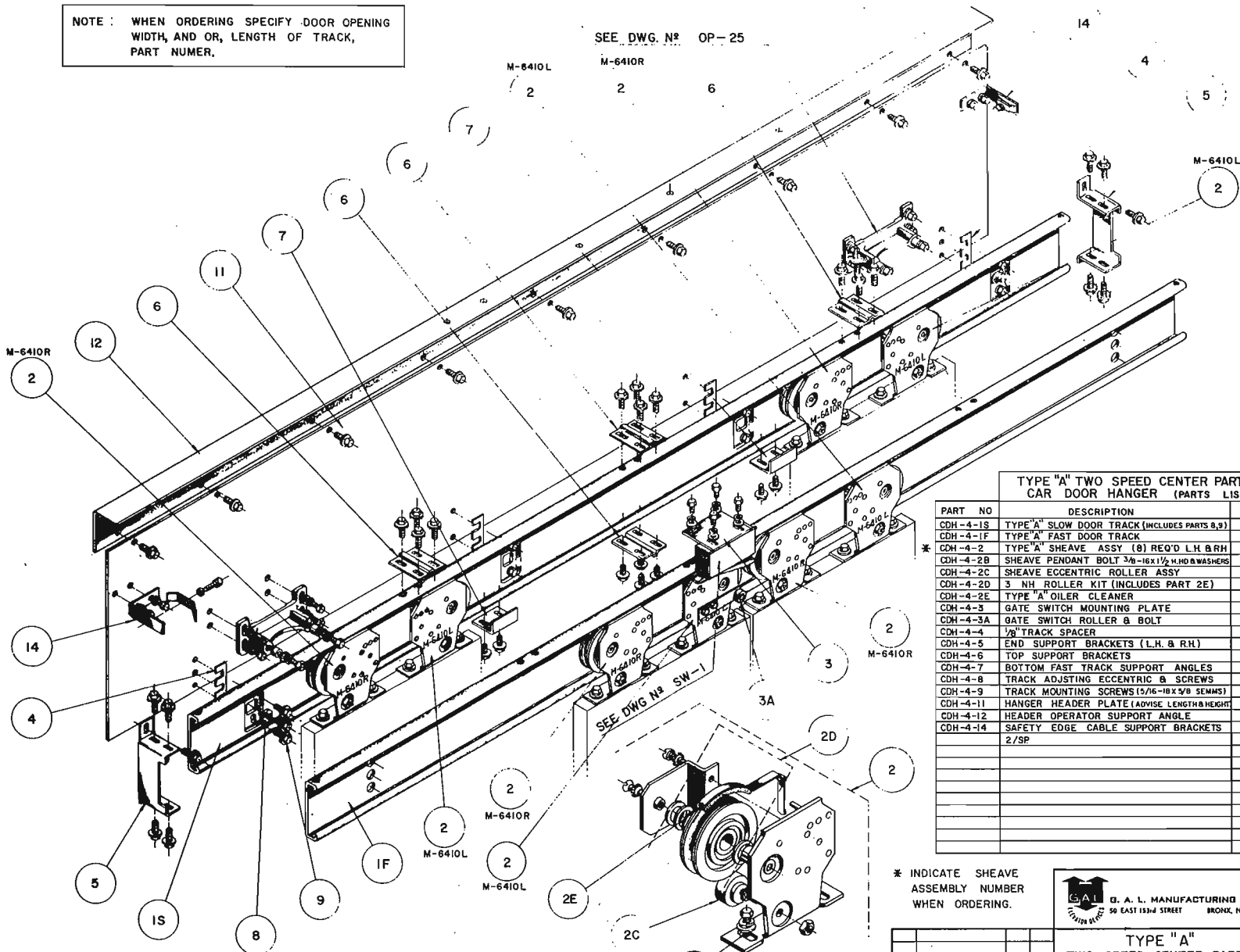
RH. SHEAVE ASSY SHOWN  
LH. SHEAVE ASSY OPPOSITE AS SHOWN

TYPE "A" SINGLE SPEED CENTER PARTING CAR DOOR HANGER			
SCALE		DATE 9-23-74	
I	MIN. SALES	7-78	DWG. BY S. C. H.
NO.	REVISION	DATE	CHK. BY G. F. D.

CDH - 3

NOTE : WHEN ORDERING SPECIFY DOOR OPENING WIDTH, AND OR, LENGTH OF TRACK, PART NUMBER.

SEE DWG. N<sup>o</sup> OP-25



TYPE "A" TWO SPEED CENTER PARTING CAR DOOR HANGER (PARTS LIST)

PART NO	DESCRIPTION
CDH-4-1S	TYPE "A" SLOW DOOR TRACK (INCLUDES PARTS 8,9)
CDH-4-1F	TYPE "A" FAST DOOR TRACK
* CDH-4-2	TYPE "A" SHEAVE ASSY (8) REQ'D L.H. & R.H.
CDH-4-2B	SHEAVE PENDANT BOLT 3/8-16x1 1/2 H.H.D. & WASHERS
CDH-4-2C	SHEAVE ECCENTRIC ROLLER ASSY
CDH-4-2D	3 NH ROLLER KIT (INCLUDES PART 2E)
CDH-4-2E	TYPE "A" OILER CLEANER
CDH-4-3	GATE SWITCH MOUNTING PLATE
CDH-4-3A	GATE SWITCH ROLLER & BOLT
CDH-4-4	1/8" TRACK SPACER
CDH-4-5	END SUPPORT BRACKETS (L.H. & R.H.)
CDH-4-6	TOP SUPPORT BRACKETS
CDH-4-7	BOTTOM FAST TRACK SUPPORT ANGLES
CDH-4-8	TRACK ADJUSTING ECCENTRIC & SCREWS
CDH-4-9	TRACK MOUNTING SCREWS (5/16-18x3/8 SEMHS)
CDH-4-11	HANGER HEADER PLATE (ADJUST LENGTH & HEIGHT)
CDH-4-12	HEADER OPERATOR SUPPORT ANGLE
CDH-4-14	SAFETY EDGE CABLE SUPPORT BRACKETS
	2/5P

\* INDICATE SHEAVE ASSEMBLY NUMBER WHEN ORDERING.

**G.A.L.** G. A. L. MANUFACTURING CORP.  
50 EAST 153<sup>rd</sup> STREET BRONX, N. Y. 10451

TYPE "A"  
TWO SPEED CENTER PARTING  
CAR DOOR HANGER

SCALE	DATE	9 - 23 - 74
I MIN. SALES	7-78	DWG. BY S C H
NO REVISION	DATE CHK	CHK BY G F D

2B RH. SHEAVE ASSY SHOWN  
LH. SHEAVE ASSY  
OPPOSITE AS SHOWN