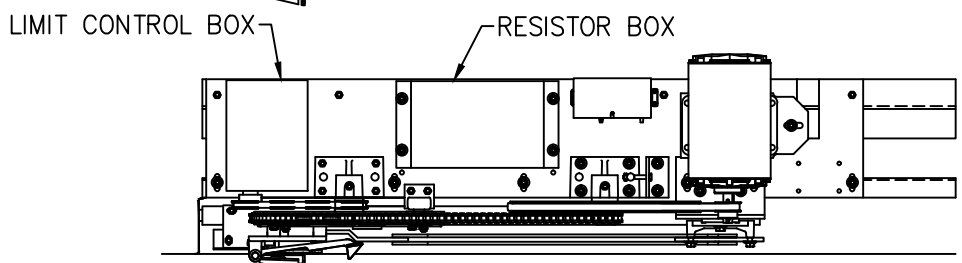
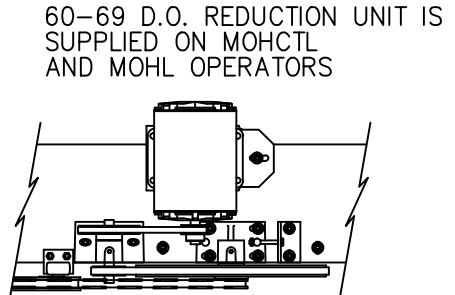


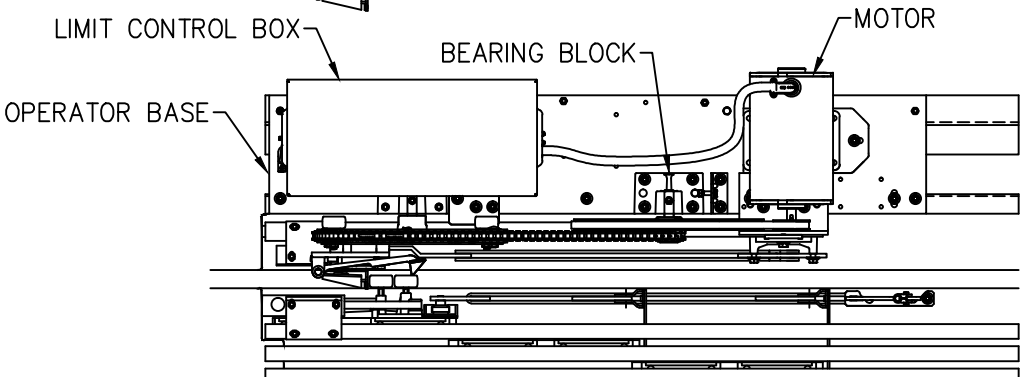
MODL



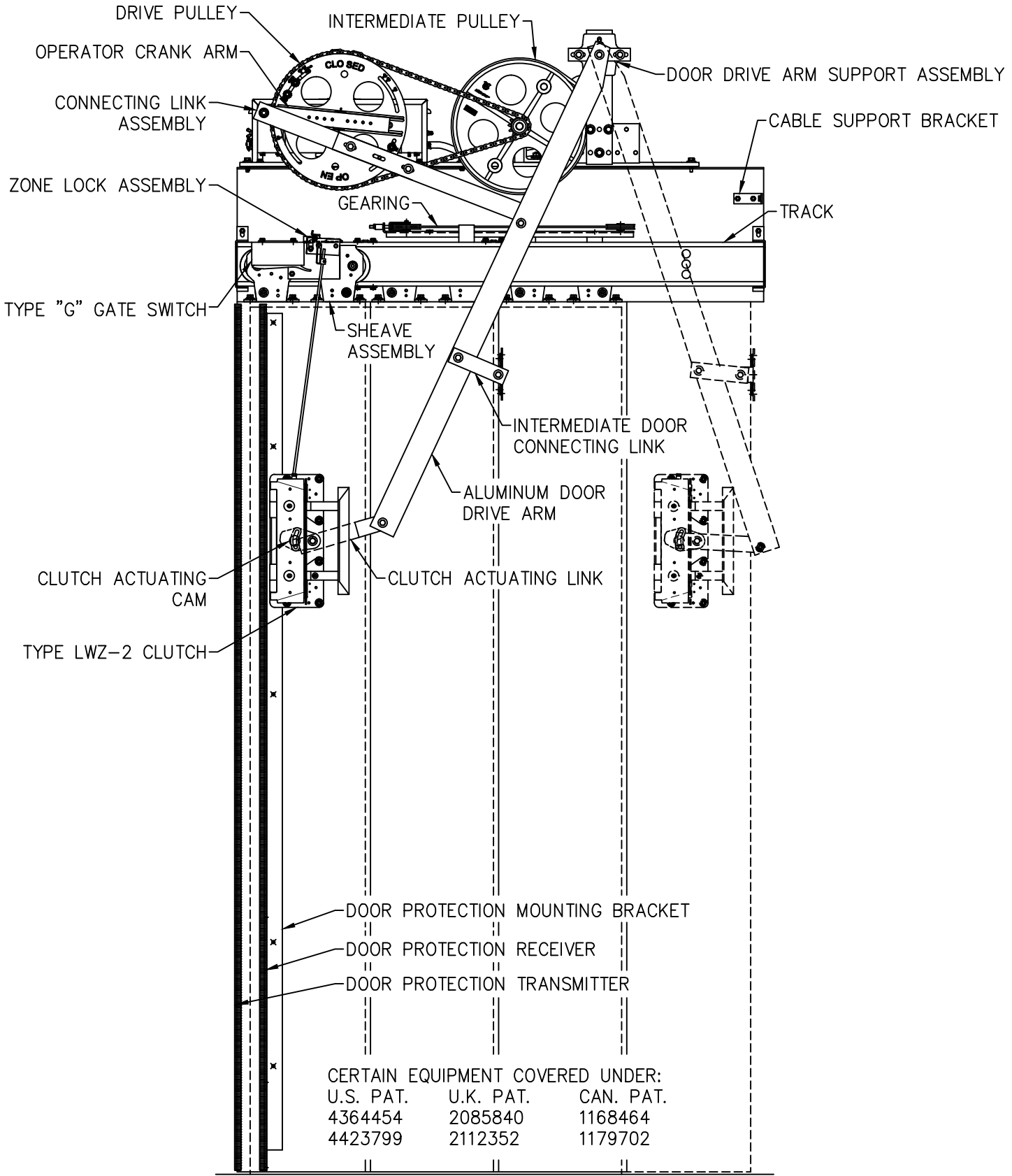
MOHL



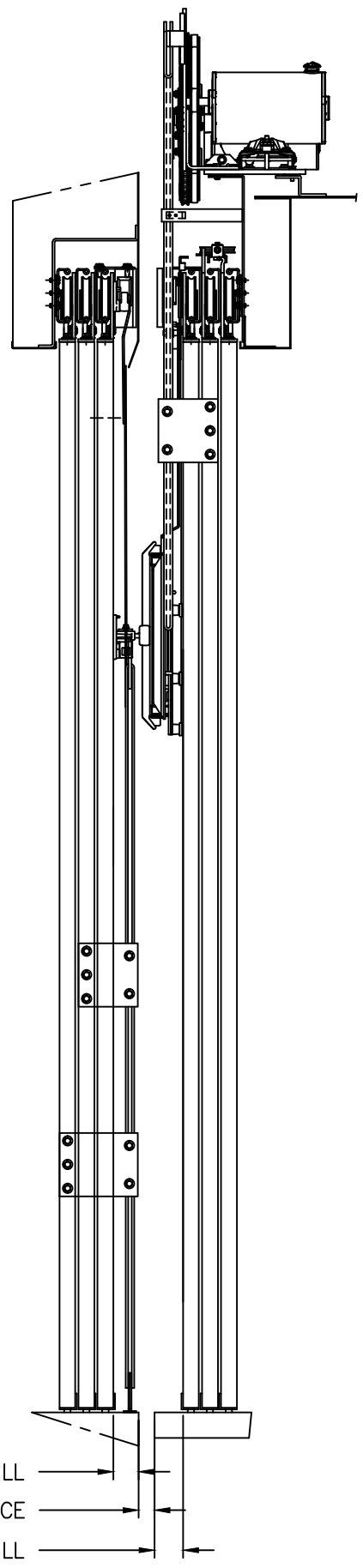
60-69 D.O. REDUCTION UNIT IS SUPPLIED ON MOHCTL AND MOHL OPERATORS



MOVFR
MODCTL
MOHCTL (SIMILAR)



CERTAIN EQUIPMENT COVERED UNDER:
U.S. PAT. 4364454 U.K. PAT. 2085840 CAN. PAT. 1168464
4423799 2112352 1179702



HATCH SILL
RUNNING CLEARANCE
CAR SILL

- WARNING -
G.A.L. PROPRIETARY INFORMATION
REPRODUCTION AND/OR USE OF ALL OR ANY PART OF THIS (THESE) PAGE(S) OR DRAWING(S) OR THE INFORMATION HEREIN, WITHOUT THE EXPRESS PERMISSION OF G.A.L. MANUFACTURING CORPORATION IS STRICTLY PROHIBITED BY LAW.
- VIOLATORS WILL BE PROSECUTED -

REV	DESCRIPTION	DATE
D	TEMPLATE AND MOVFR UPDATED	08-13-14
C	LWZ-2 CLUTCH ADDED	08-22-06
B	MOVFR OPERATOR ADDED	05-28-04
A	MOCT OPERATOR ADDED	09-13-95



THREE SPEED CAR ASSEMBLY
TYPE "A" HANGER WITH INFRARED DOOR PROTECTION 30-60 DOOR OPENING

G.A.L. MANUFACTURING CORP.
50 E. 153rd STREET, BRONX, N.Y. 10451
PHONE: (718) 292-9000, FAX: (718) 292-2034
www.GAL.com, info@GAL.com

DATE 01-29-96
DOCUMENT No. 8224-1
REV D