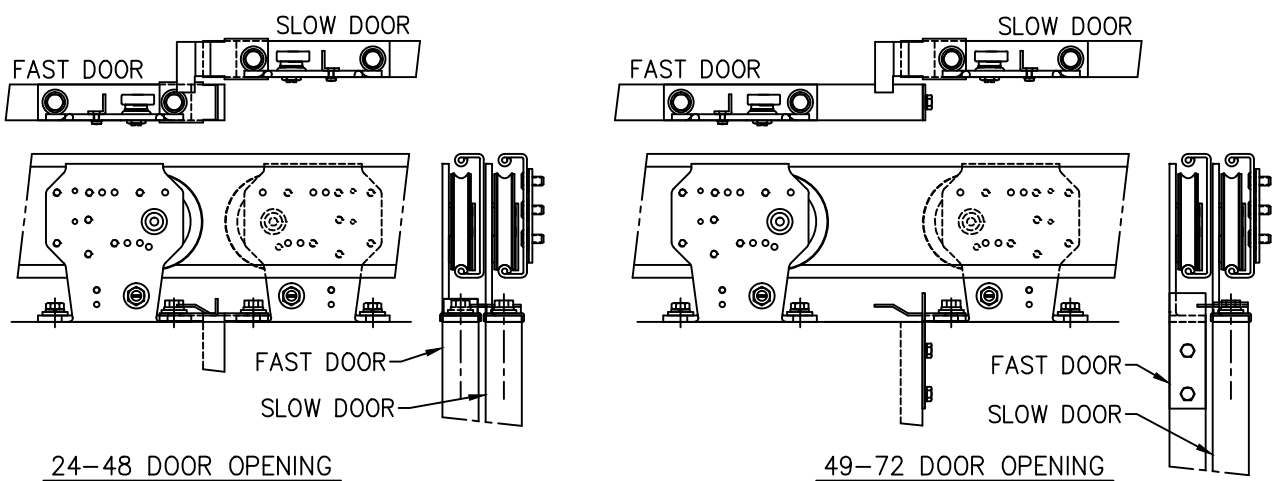
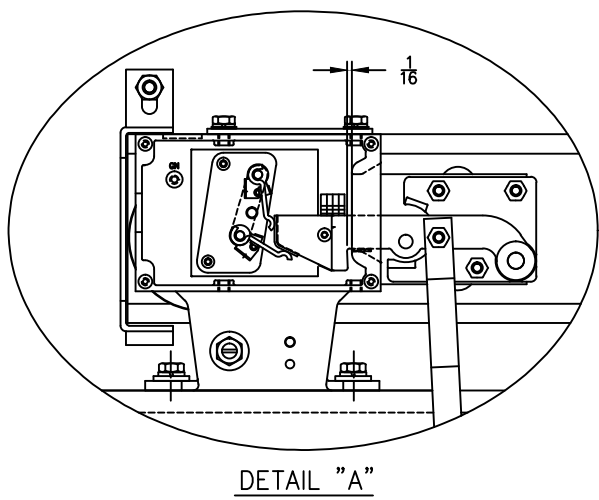
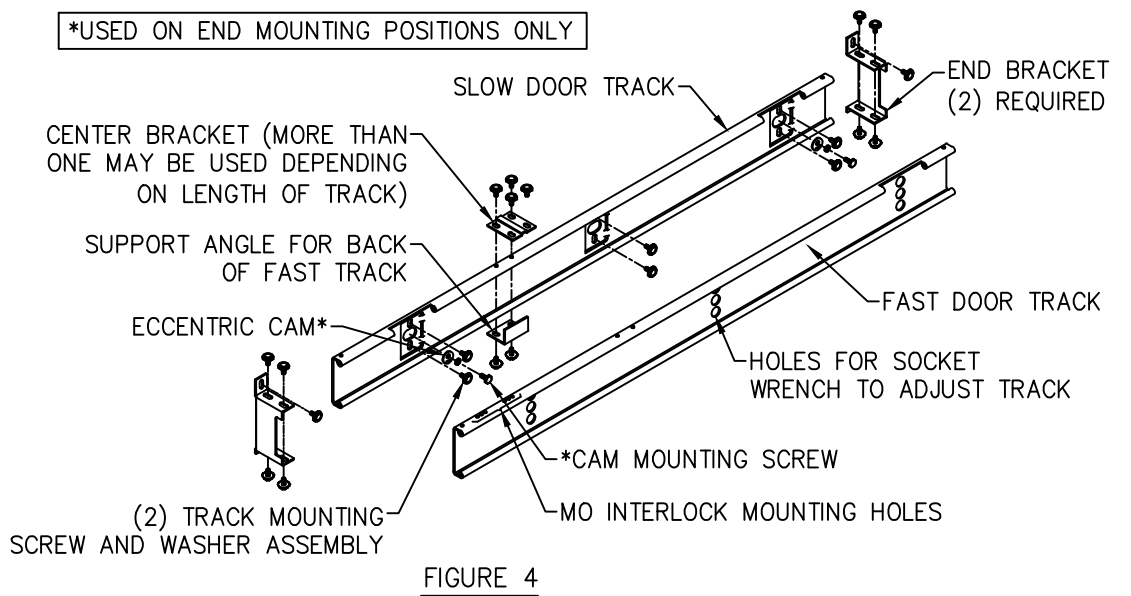
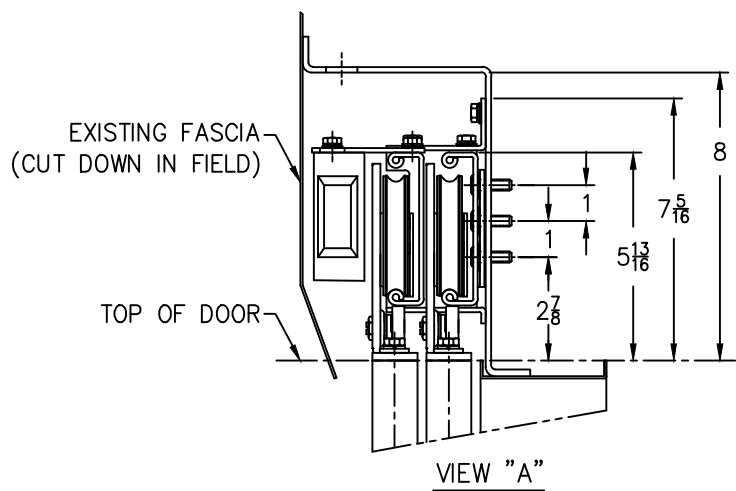


FIGURE 1

DOOR OPENING	A	B	C
67-72	76	17	15 $\frac{1}{2}$
61-66	72	16	14
55-60	72	14	12 $\frac{1}{2}$
52-54	72	11	11
49-51	60	11	9 $\frac{3}{4}$
45-48	52	12	10 $\frac{1}{4}$
41-44	48	10 $\frac{1}{2}$	9 $\frac{1}{4}$
36-40	48	9	8 $\frac{1}{4}$
28-35	42	9	7
26-27	42	7 $\frac{1}{2}$	7 $\frac{1}{4}$
25	42	7 $\frac{1}{2}$	5 $\frac{3}{4}$
24	42	7 $\frac{1}{2}$	5 $\frac{3}{8}$

\*USED ON END MOUNTING POSITIONS ONLY



INSTALLATION INSTRUCTIONS:

- NOTE: SLOW SPEED TRACK COMES ASSEMBLED WITH ALL BRACKETS.
1. MOUNT SLOW SPEED TRACK TO HEADER AND SET ECCENTRIC CAM SO THAT THE TRACK IS IN THE LOWEST POSITION. HAND TIGHTEN ALL SCREWS.
  2. HANG SLOW SPEED DOOR AND ROTATE ECCENTRIC CAM TO RAISE DOOR TO REQUIRED SILL CLEARANCE. ADJUST UPTHURST ROLLERS TO CLEAR TRACK BY APPROXIMATELY  $\frac{1}{64}$  INCH.
  3. CHECK DOOR ALIGNMENT IN OPENED AND CLOSED POSITION AND CORRECT PER FIGURE 2. IF REQUIRED, READJUST SLOW SPEED TRACK.
  4. TIGHTEN ALL SCREWS.
  5. MOUNT FAST SPEED DOOR TRACK.
  6. MOUNT FAST SPEED DOOR. CHECK DOOR ALIGNMENT AND CORRECT PER FIGURE 2.

NOTE: 36x84 DOOR OPENING SHOWN  
RIGHT HAND SHOWN  
LEFT HAND OPPOSITE

- WARNING -  
G.A.L. PROPRIETARY INFORMATION

REPRODUCTION AND/OR USE OF ALL OR ANY PART OF THIS (THESE) PAGE(S) OR DRAWING(S) OR THE INFORMATION HEREIN, WITHOUT THE EXPRESS PERMISSION OF G.A.L. MANUFACTURING CORPORATION IS STRICTLY PROHIBITED BY LAW.

- VIOLATORS WILL BE PROSECUTED -

REV	DESCRIPTION	DATE
B	SPRING CLOSER BASE & DRAWING UPDATE	12-18-13
A	TEMPLATE & HANGER UPDATED	07-11-13



TWO SPEED HATCH DOOR ASSEMBLY  
TYPE "A" HANGER WITH SPRING DOOR CLOSER 24-72 DOOR OPENING

G.A.L. MANUFACTURING CORP.  
50 E. 153rd STREET, BRONX, N.Y. 10451  
PHONE: (718) 292-9000, FAX: (718) 292-2034  
www.GAL.com, info@GAL.com

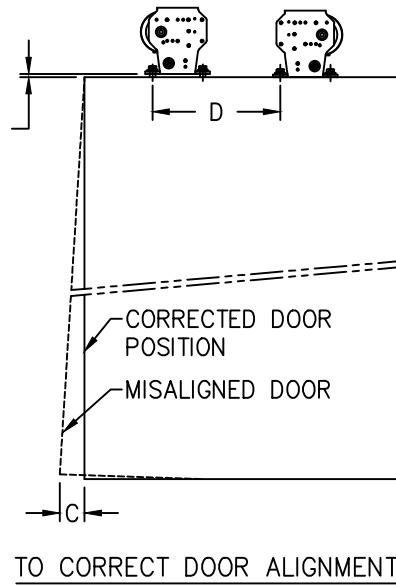
DATE 11-03-1994

DOCUMENT No.

8252

REV

B



D	C
26 $\frac{1}{2}$	$\frac{1}{16}$
24 $\frac{1}{2}$	
22 $\frac{1}{2}$	
20 $\frac{1}{2}$	
18 $\frac{1}{2}$	$\frac{1}{8}$
16 $\frac{1}{2}$	
14 $\frac{1}{2}$	
12 $\frac{1}{2}$	$\frac{3}{16}$
10 $\frac{1}{2}$	
8 $\frac{1}{2}$	
8	$\frac{1}{4}$
7 $\frac{1}{2}$	
7	

THIS TABLE IS BASED ON A  $\frac{1}{32}$  SHIM PLACED BETWEEN THE SHEAVE AND THE TOP OF THE DOOR.

