

THIS TABLE IS BASED ON A 1/32 SHIM PLACED BETWEEN THE SHEAVE AND THE TOP OF THE DOOR. TO CORRECT DOOR MISALIGNMENT

FIGURE 2

DOOR OPENING	A	B	E	F
69	78	8 1/2	13 1/2	22
68	78	8 3/16	13 3/8	22
67	78	8 1/8	13 1/8	22
66	78	7 15/16	12 13/16	22
65	78	7 3/4	12 9/16	22
64	78	7 9/16	12 5/16	20
63	78	7 7/16	12 1/8	20
62	78	7 1/4	11 7/8	20
61	78	7 1/16	11 5/8	20
60	78	6 15/16	11 7/16	20
59	72	7	11 1/4	20
58	72	6 13/16	11	20
57	72	6 5/8	10 3/4	20
56	72	6 1/2	10 9/16	20
55	72	6 5/16	10 5/16	20
54	72	6 1/8	10 1/16	18
53	72	6	9 7/8	18
52	72	5 13/16	9 5/8	18
51	72	5 11/16	9 3/8	18
50	72	5 1/2	9 3/16	18
49	60	5 13/16	9	18
48	60	5 5/8	8 3/4	18
47	60	5 7/16	8 9/16	18
46	60	5 1/4	8 5/16	18
45	60	5 1/8	8 1/16	18
44	60	4 15/16	7 13/16	15
43	60	4 3/4	7 5/8	15
42	60	4 5/8	7 3/8	15
41	60	4 7/16	7 1/8	15
40	60	4 5/16	6 15/16	15
39	54	4 5/16	6 3/4	15
38	54	4 3/16	6 1/2	15
37	54	4	6 1/4	15
36	54	3 7/8	6 1/16	15
35	54	3 11/16	5 13/16	15
34	54	3 9/16	5 11/16	12
33	54	3 7/16	5 11/16	12
32	54	3 3/8	5 11/16	12
31	54	3 1/4	5 5/8	12
30	54	3 3/16	5 5/8	12

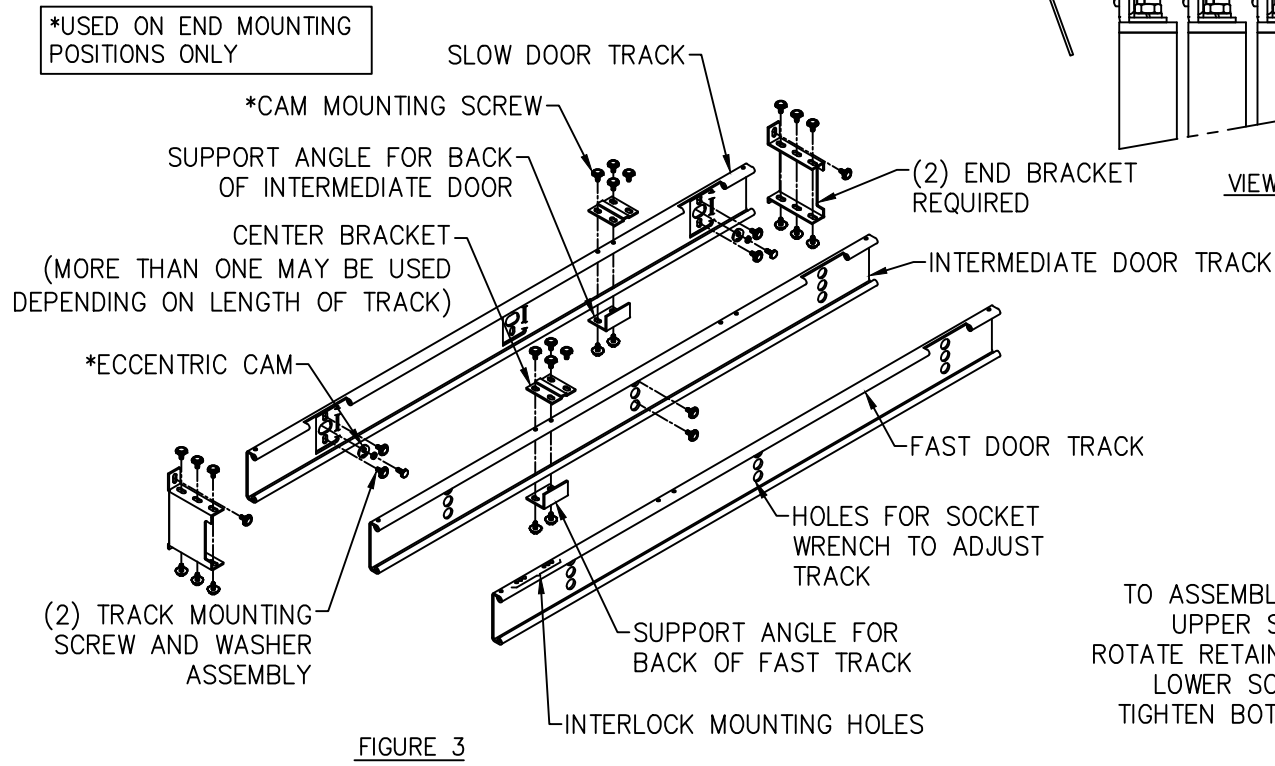
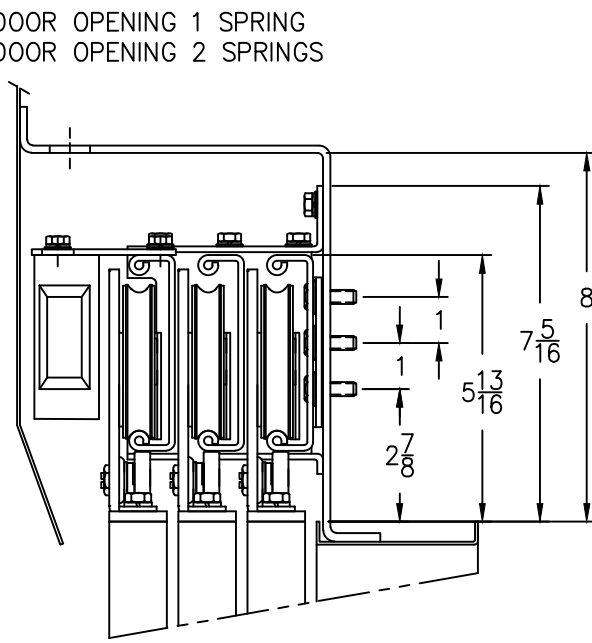


FIGURE 3

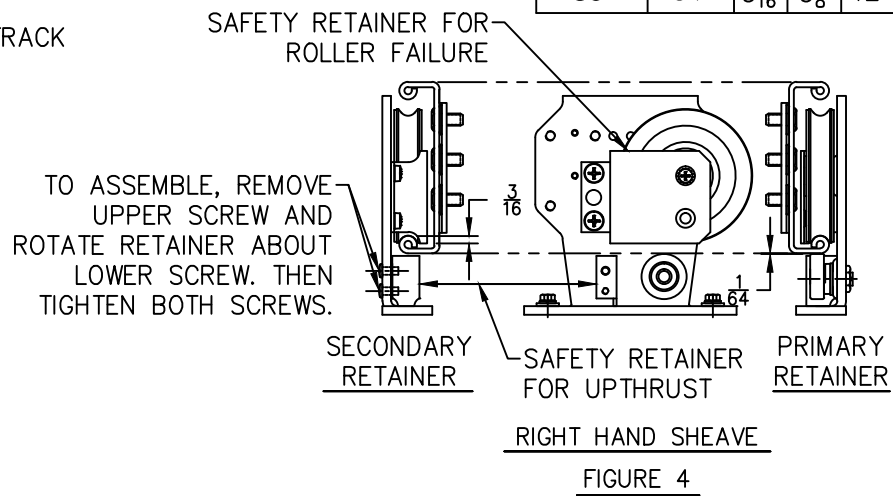
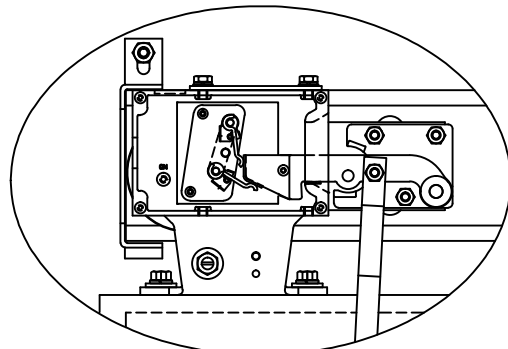


FIGURE 4



DETAIL "A"

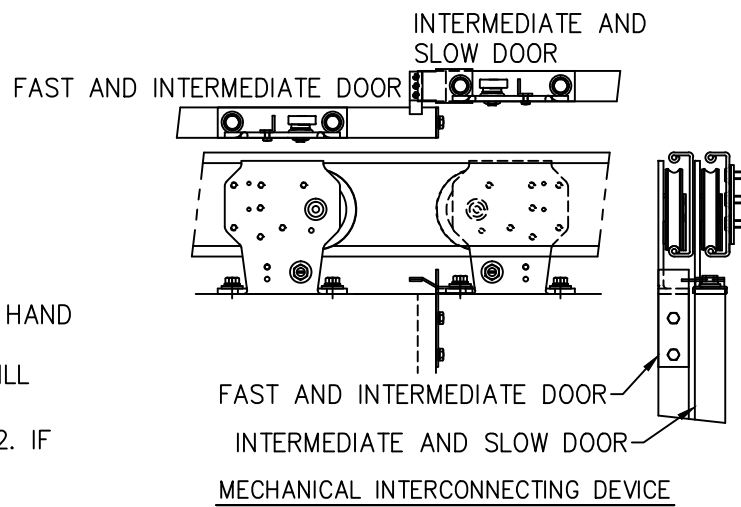


FIGURE 5

INSTALLATION INSTRUCTIONS:

- NOTE: SLOW SPEED TRACK COMES ASSEMBLED WITH ALL BRACKETS.
1. MOUNT SLOW SPEED TRACK TO HEADER AND SET ECCENTRIC CAM IN LOWEST POSITION. HAND TIGHTEN ALL SCREWS.
 2. HANG SLOW SPEED DOOR AND ROTATE ECCENTRIC CAM TO RAISE DOOR TO REQUIRED SILL CLEARANCE. ADJUST UPTHURST ROLLERS TO CLEAR TRACK BY APPROXIMATELY 1/64 INCH.
 3. CHECK DOOR ALIGNMENT IN OPENED AND CLOSED POSITION AND CORRECT PER FIGURE 2. IF REQUIRED, READJUST SLOW SPEED TRACK.
 4. MOUNT INTERMEDIATE AND FAST SPEED DOOR TRACK.
 5. MOUNT INTERMEDIATE AND FAST SPEED DOOR. CHECK DOOR ALIGNMENT AND CORRECT PER FIGURE 2.
 6. TIGHTEN ALL SCREWS.

- WARNING -
G.A.L. PROPRIETARY INFORMATION
REPRODUCTION AND/OR USE OF ALL OR ANY PART OF THIS (THESE) PAGE(S) OR DRAWING(S) OR THE INFORMATION HEREIN, WITHOUT THE EXPRESS PERMISSION OF G.A.L. MANUFACTURING CORPORATION IS STRICTLY PROHIBITED BY LAW.
- VIOLATORS WILL BE PROSECUTED -

REV	DESCRIPTION	DATE
B	DRAWING & LAYOUT UPDATE	04-29-14
A	UPDATED "F" DIM	05-24-10

THREE SPEED HATCH DOOR ASSEMBLY
TYPE "A" HANGER WITH SHOE TYPE SPRING DOOR CLOSER



G.A.L. MANUFACTURING CORP.
50 E. 153rd STREET, BRONX, N.Y. 10451
PHONE: (718) 292-9000, FAX: (718) 292-2034
www.GAL.com, info@GAL.com

DATE 11-03-1994

DOCUMENT No.

8254

REV

B