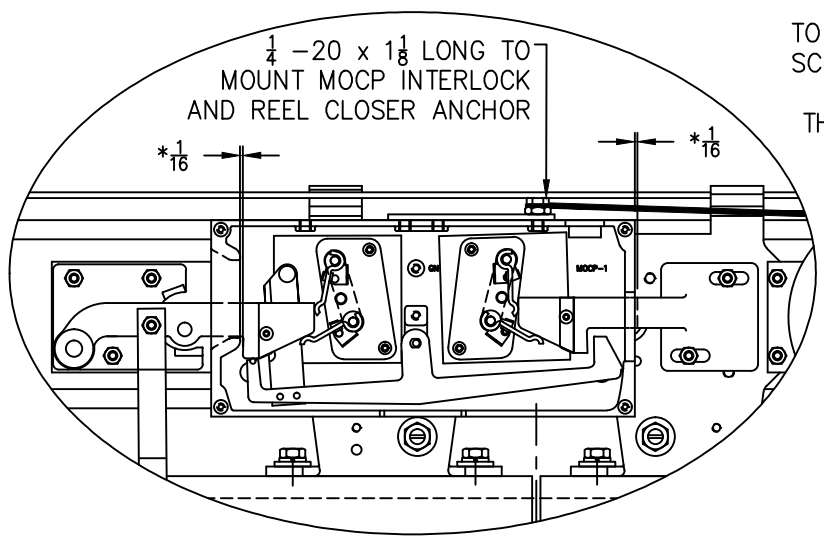
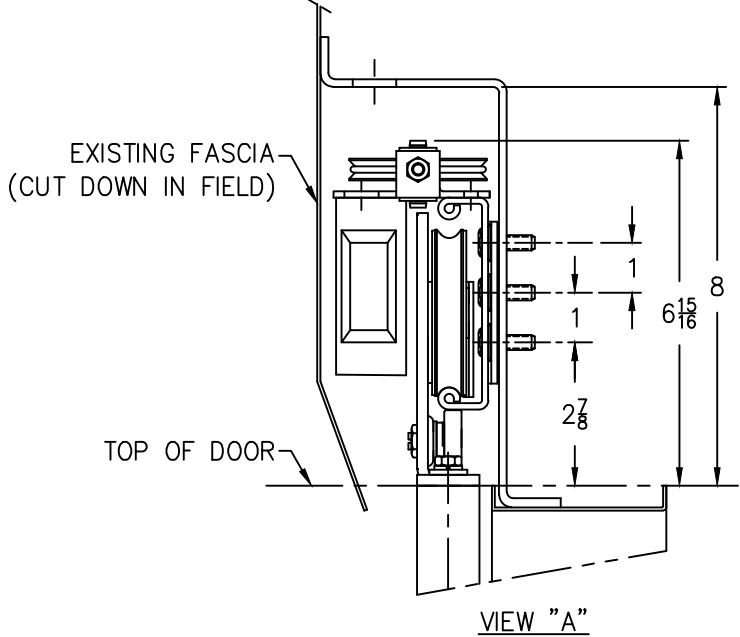


FIGURE 1 36 x 84 DOOR OPENING SHOWN



*NOTE KEEPER SETTING
DETAIL "A"



INSTALLATION INSTRUCTIONS:

1. MOUNT HANGERS TO DOOR WITH UPTHURST ROLLERS IN LOWEST POSITION.
2. MOUNT TRACK TO HEADER AND SET ECCENTRIC CAM SO THAT THE TRACK IS IN THE LOWEST POSITION. HAND TIGHTEN ALL SCREWS. SEE FIGURE 3.
3. HANG DOOR ON TRACK AND ROTATE ECCENTRIC CAM TO GIVE DOOR REQUIRED SILL CLEARANCE. ADJUST UPTHURST ROLLERS TO CLEAR TRACK BY APPROXIMATELY $\frac{1}{64}$ INCH.
4. CHECK DOOR MISALIGNMENT IN OPENED AND CLOSED POSITION AND CORRECT IF REQUIRED. SEE FIGURE 2.
5. IF REQUIRED, READJUST THE ECCENTRIC CAM TO GIVE DOOR REQUIRED SILL CLEARANCE.
6. TIGHTEN ALL SCREWS.

- WARNING -
G.A.L. PROPRIETARY INFORMATION

REPRODUCTION AND/OR USE OF ALL OR ANY PART OF THIS (THESE) PAGE(S) OR DRAWING(S) OR THE INFORMATION HEREIN, WITHOUT THE EXPRESS PERMISSION OF G.A.L. MANUFACTURING CORPORATION IS STRICTLY PROHIBITED BY LAW.
- VIOLATORS WILL BE PROSECUTED -

REV	DESCRIPTION	DATE
B	UPDATE LAYOUT & SPRING CLOSER BASE	12-27-13
A	TEMPLATE & HANGER UPDATED	07-11-13



CENTER OPENING HATCH DOOR ASSEMBLY
TYPE "A" HANGER WITH SPRING OR REEL CLOSER 24-59 DOOR OPENING

G.A.L. MANUFACTURING CORP.
50 E. 153rd STREET, BRONX, N.Y. 10451
PHONE: (718) 292-9000, FAX: (718) 292-2034
www.GAL.com, info@GAL.com

DATE	11-03-1994	REV	
DOCUMENT No.	8253		B