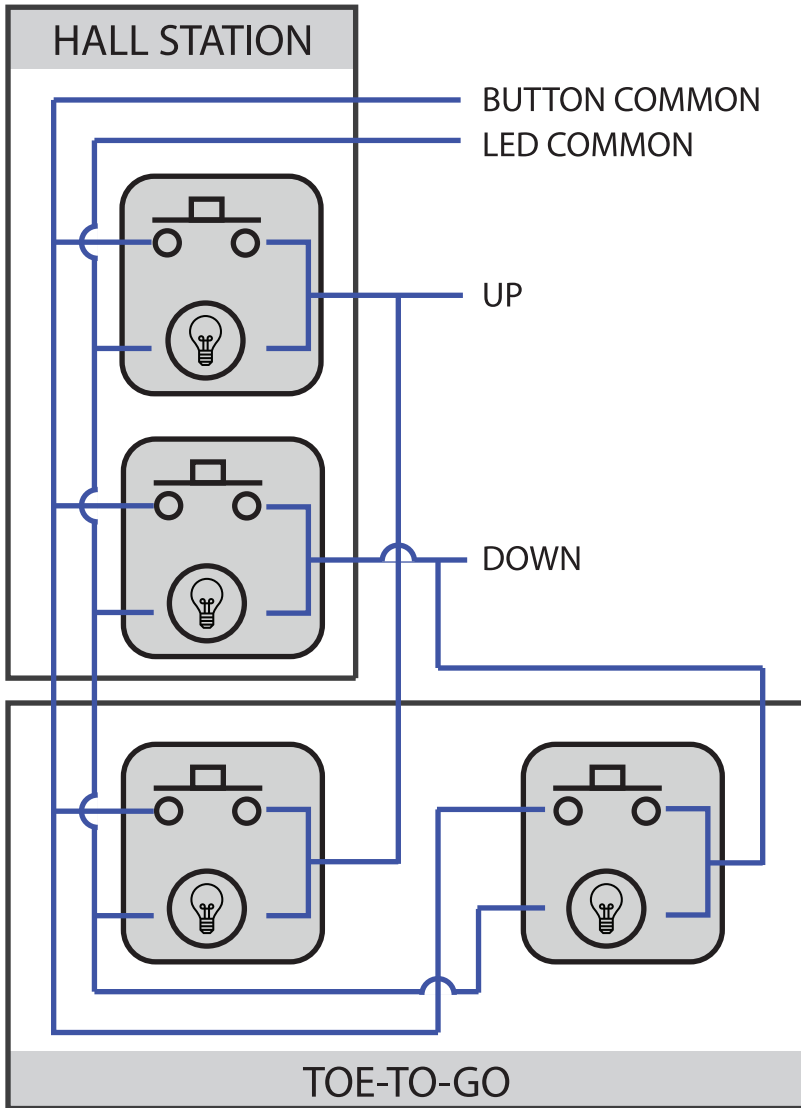


A POWERFUL PARTNERSHIP



WIRING DIAGRAM: TOE-TO-GO



Screw terminals in parallel with hall station or car operating panel pushbuttons.