

# BAR BUTTON

A POWERFUL PARTNERSHIP



*Illuminated Bar Button with Amerigo MdBT font*



*Engraved/Etched Bar Button with custom font*



*Blank Bar Button*

We've raised the Bar.  
Finally, a Bar Button with style.

The MAD Bar Button is a vandal resistant, extra long button made from either brushed brass, PVD brass, or stainless steel and housed in a cast body. The Bar Button matches our Julius series with integrated ADA tactile (custom or blank pushbutton), making it the aesthetic choice for your fixture.

- ✓ Studless Mounting
- ✓ Vandal-resistant
- ✓ Stainless Steel or PVD Brass, non-tarnishing finish
- ✓ Available Styles: Illuminated, Engraved, Etched, or Blank
- ✓ LED Illumination available in Red, Green, Blue, White & Amber
- ✓ Custom button marking (Amerigo Md BT font above)



*Stainless Steel COP shown with 7" Matisse TFT PI, BS Moon and Bar Button pushbuttons, and Julius surround tactile.*

# General Details

**General:** Polycarbonate pushbutton with a stainless steel face. Studless mounting fastening on plates from 11 to 22 gauge thick

**Pressel:** Polycarbonate with stainless steel face

**Contacts:** Available with one or two microswitch (2NO/1 NC)

**Wiring:** Screw terminals

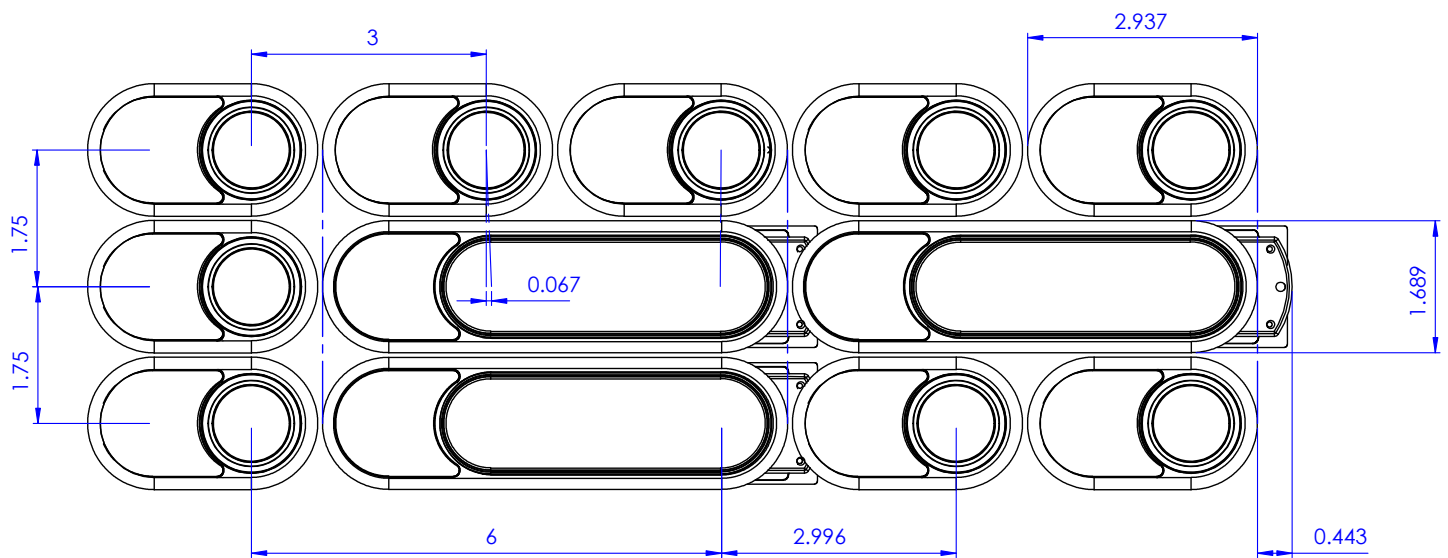
**Voltage:** 24V AC/DC

**Illumination:** LED illumination of character and halo

**Stroke:** 0.040"

**Avg. Life:** 1,500,000 activations

## COP Layout: Front View



Measurements in mm

## Component Ordering Information

### BZBXF44MX.XX

**Finish**

- V - Stainless Steel
- Y - Brass

**Illumination**

- B - Blue
- R - Red
- G - Green
- W - White
- 0 - No Illumination

**Marking**

- 00 Black
- 01 Lobby
- 02 Lobby-Pool
- 03 Spa-Salon
- 04 Pool
- 05 Plaza 1
- 06 Casino
- 07 Plaza 2

This publication is for general informational purposes only. Product design is subject to change without notice. Actual product colors and finishes may vary.

Copyright © 2020 MAD Elevator Inc.

vantageelevation.com  
 (347) 226-4558  
 sales@vantageelevation.com