

DOOR OPENING	A	B
56-59	42	9
30-55	36	7 1/2

TABLE IS BASE ON A 1/32 SHIM PLACED BETWEEN THE SHEAVE AND THE TOP OF THE DOOR.

DIMS (IN)	
D	C
19	1/8
17 1/2	1/8
16	1/8
14 1/2	1/8
13	3/16
11 1/2	3/16
10	3/16
8 1/2	1/4
7	1/4
5 5/8	5/16

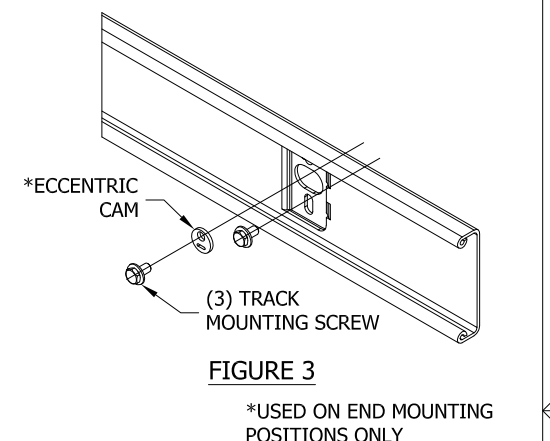
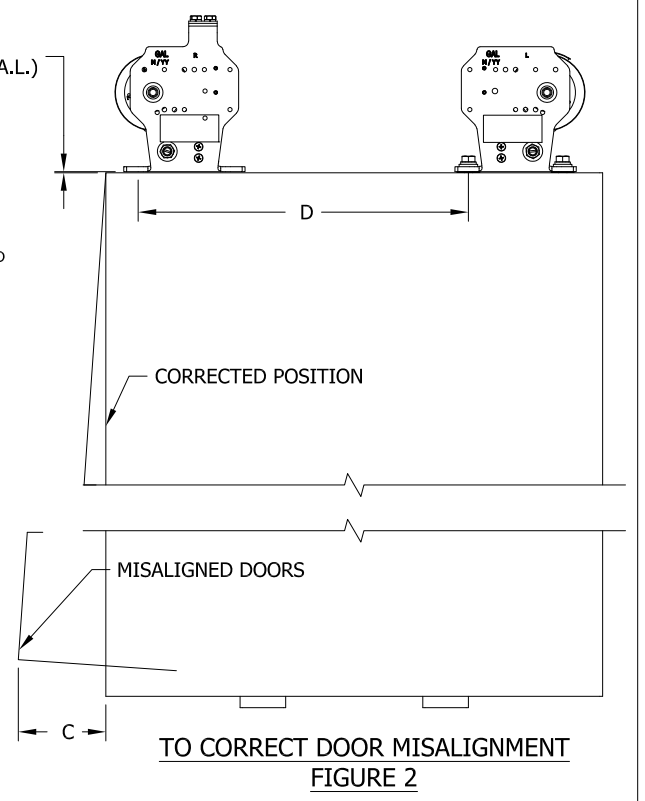
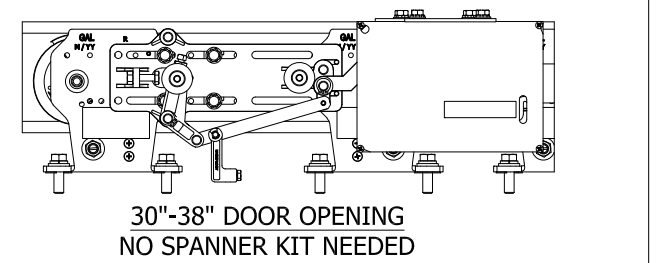
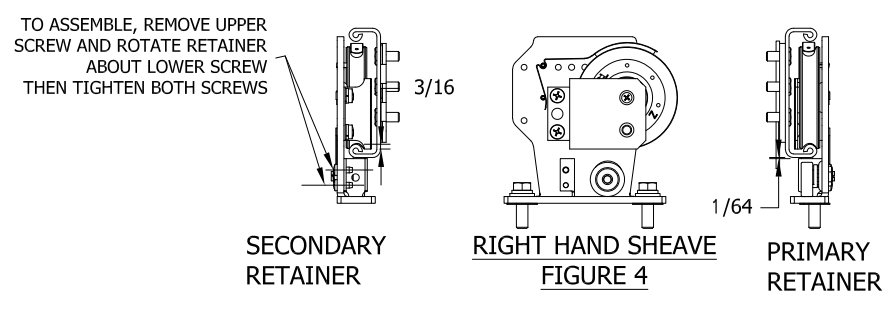


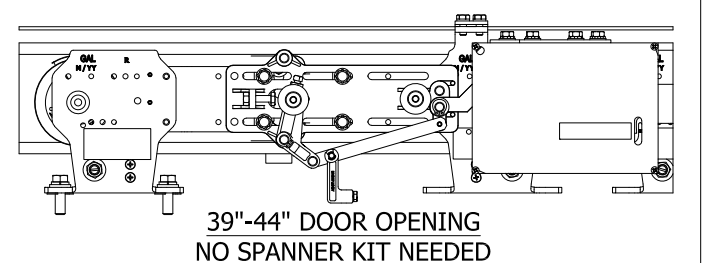
FIGURE 1

FIGURE 2

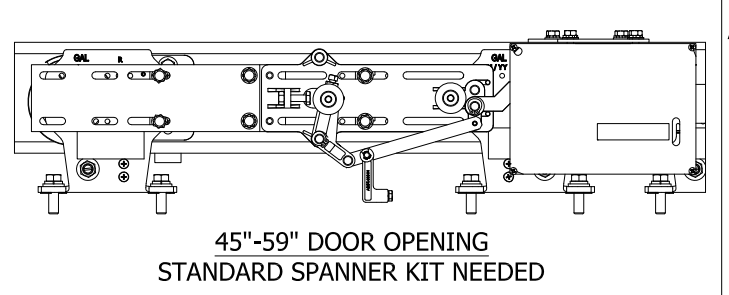
FIGURE 3



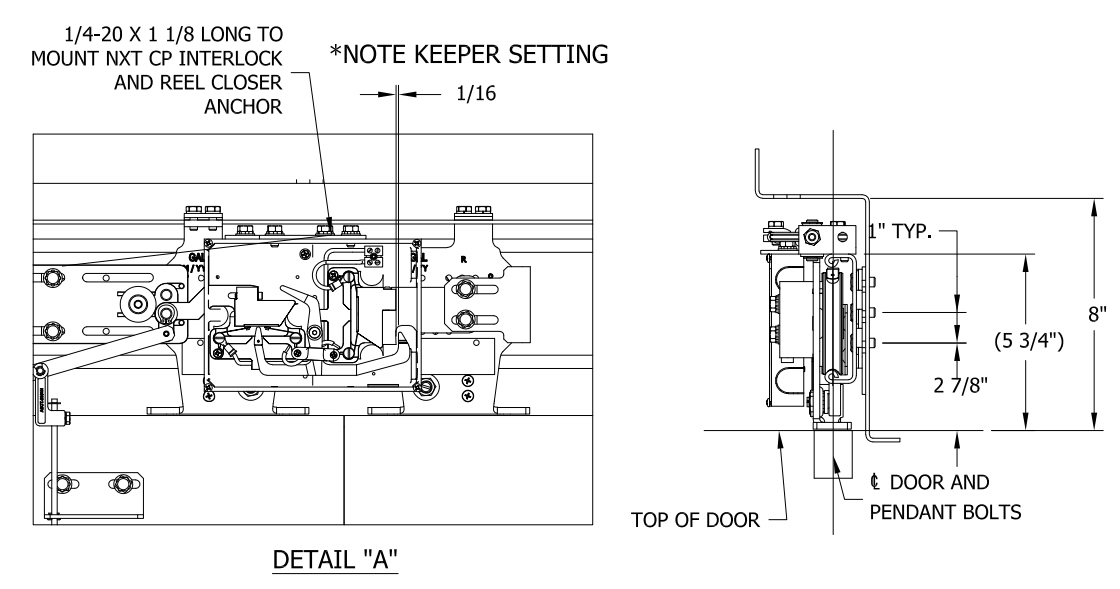
30"-38" DOOR OPENING
NO SPANNER KIT NEEDED



39"-44" DOOR OPENING
NO SPANNER KIT NEEDED



45"-59" DOOR OPENING
STANDARD SPANNER KIT NEEDED



DETAIL "A"

- INSTALLATION INSTRUCTIONS:**
1. MOUNT HANGERS TO DOOR WITH UPTHURST ROLLERS IN LOWEST POSITION.
 2. MOUNT TRACK TO HEADER AND SET THE ECCENTRIC CAM SO THAT THE TRACK IS IN THE LOWEST POSITION. HAND TIGHTEN ALL SCREWS. SEE FIGURE 3.
 3. HANG DOOR ON TRACK AND ROTATE ECCENTRIC CAM TO GIVE DOOR REQUIRED SILL CLEARANCE. ADJUST UPTHURST ROLLERS TO CLEAR TRACK BY APPROXIMATELY 1/64 INCH.
 4. CHECK DOOR MISALIGNMENT IN OPENED AND CLOSED POSITION AND CORRECT IF REQUIRED. SEE FIGURE 2.
 5. IF REQUIRED, READJUST THE ECCENTRIC CAM TO GIVE DOOR REQUIRED SILL CLEARANCE.
 6. TIGHTEN ALL SCREWS.

42" X 84" DOOR OPENING SHOWN

MONXT CENTER PARTING HATCH DOOR ASSEMBLY		DRAWN BY E. YANEZ
UNLESS OTHERWISE SPECIFIED DIMENSIONS ARE IN INCHES THIRD ANGLE PROJECTION		DATE 2/22/2018
DIMENSIONAL TOLERANCES X.XX ±0.01 X.XXX ±0.005 X.XXXX ±0.0005 ANGULAR ±0.5°		ENGINEER A. GOODWIN
G.A.L. MANUFACTURING CO. 50 East 153rd St. Bronx, NY 10451 (718)292-9000 THIS DRAWING AND THE DESIGNS CONTAINED IN IT ARE THE SOLE PROPERTY OF G.A.L. MANUFACTURING CO. IT IS FURNISHED UNDER THE CONDITION THAT IT SHALL NOT BE COPIED, LOANED OR OTHERWISE DISTRIBUTED OR DISPOSED OF, DIRECTLY OR INDIRECTLY, WITHOUT PRIOR WRITTEN PERMISSION.		SHEET 1 OF 1 REV: B PART/DOCUMENT # 8253-MONXT