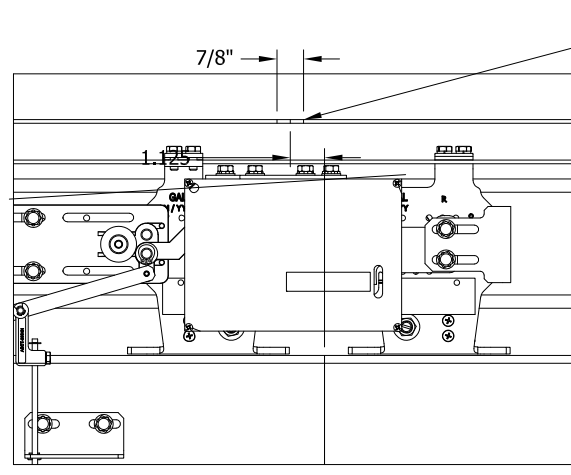


DIMENSIONS (IN)					
DOOR OPENING	A	B	D	H	F
57-59	112	24	19	42	32
55-56	106	24	17 1/2	42	32
54	106	24	17 1/2	36	29
51-53	106	24	19	36	29
48-50	100	18	17 1/2	36	29
45-47	94	18	16	36	29
42-44	88	24	14 1/2	38	25
39-41	82	24	13	38	25
36-38	76	12	11 1/2	38	25
33-35	70	12	10	38	25
30-32	64	24	8 1/2	38	25



42" X 84" DOOR OPENING
 DOOR HEIGHT []
 JAMB HEIGHT []

B	UPDATED DRAWING TO CURRENT STYLES	10/17/2019	0368
A	INITIAL RELEASE	2/23/2018	0368
REV	DESCRIPTION	DATE	ECN #

G.A.L. MANUFACTURING CO.
 50 East 153rd St. Bronx, NY 10451 (718)292-9000
THIS DRAWING AND THE DESIGNS CONTAINED IN IT ARE THE SOLE PROPERTY OF G.A.L. MANUFACTURING CO. IT IS FURNISHED UNDER THE CONDITION THAT IT SHALL NOT BE COPIED, LOANED OR OTHERWISE DISTRIBUTED OR DISPOSED OF, DIRECTLY OR INDIRECTLY, WITHOUT PRIOR WRITTEN PERMISSION.

MONXT CENTER PARTING HATCH DRILLINGS

UNLESS OTHERWISE SPECIFIED DIMENSIONS ARE IN INCHES
 THIRD ANGLE PROJECTION

DIMENSIONAL TOLERANCES	
X.XX	±0.01
X.XXX	±0.005
X.XXXX	±0.0005
ANGULAR	±0.5°

(X.XX) = X.XX REF. = REFERENCE ONLY <INSPECTION ID #> DIMENSION

DRAWN BY: E. YANEZ
 DATE: 2/22/2018
 ENGINEER: A. GOODWIN

SHEET 1 OF 1 REV: B
 PART/DOCUMENT #
8243-MONXT