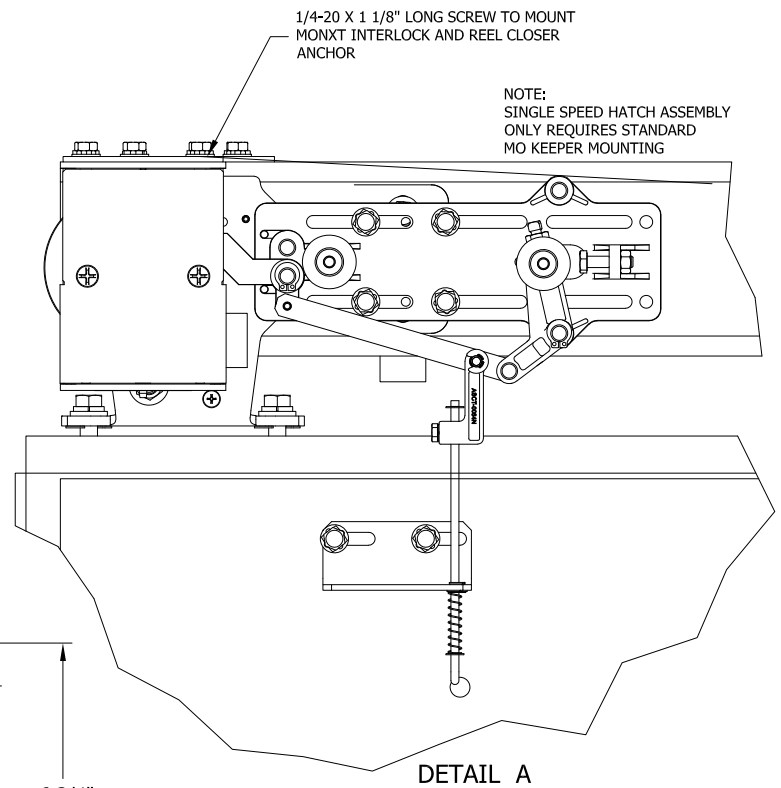
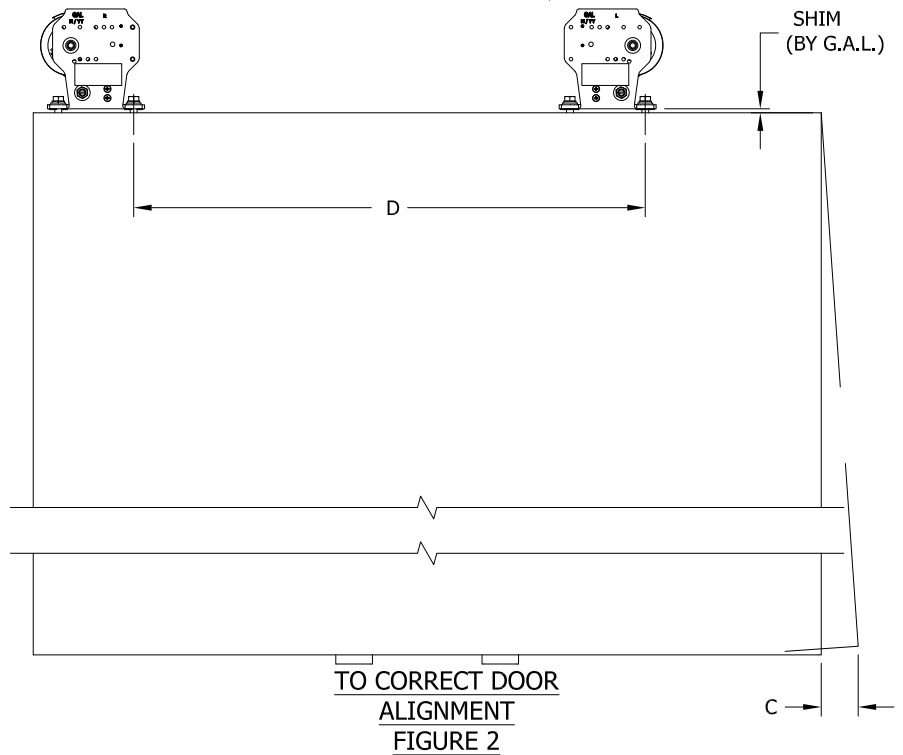


FIGURE 1

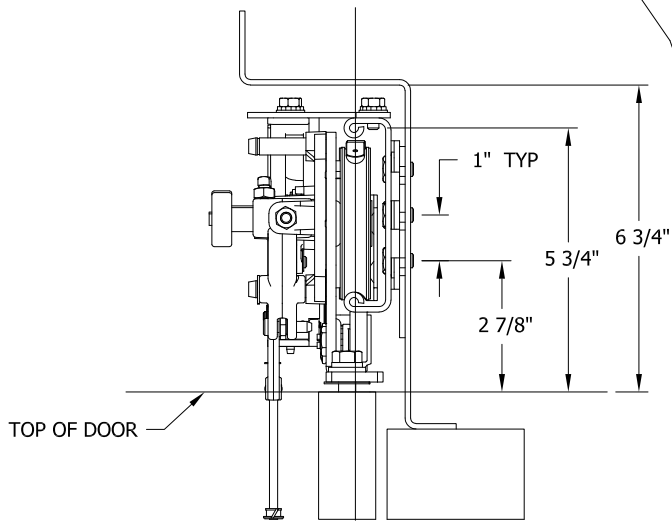
D	C
31	1/16
28	1/16
25	1/8
22	1/8
19	1/8
16	1/8
13	3/16
10	3/16

TABLE IS BASED ON 1/32 SHIM PLACED BETWEEN THE SHEAVE AND TOP OF THE DOOR



DETAIL A

DOOR OPENING	A	B
45-48	52	12
41-44	48	10 1/2
36-40	48	9
30-35	42	9



TOP OF DOOR

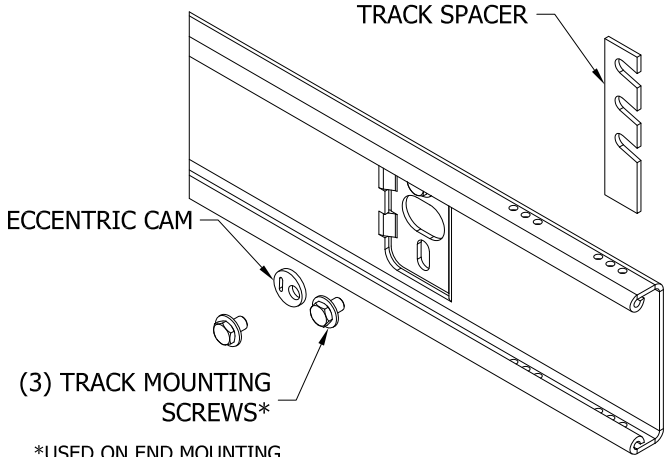
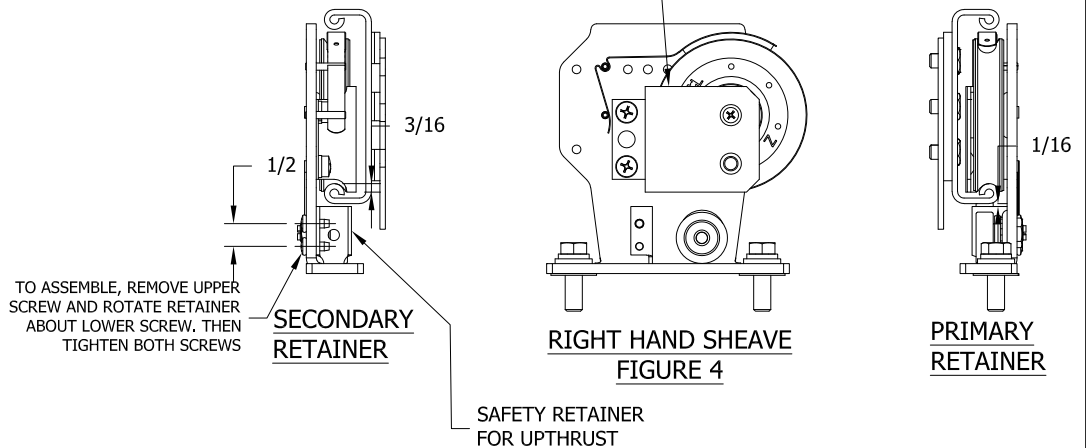


FIGURE 3



RIGHT HAND SHEAVE FIGURE 4

PRIMARY RETAINER

- INSTALLATION INSTRUCTIONS:
1. MOUNT HANGERS TO DOOR WITH UPTHRUST ROLLERS IN LOWEST POSITION.
 2. MOUNT TRACK TO HEADER AND SET ECCENTRIC CAM SO THAT THE TRACK IS IN THE LOWEST POSITION. HAND TIGHTEN ALL SCREWS. SEE FIGURE 3.
 3. HANG DOOR ON TRACK AND ROTATE ECCENTRIC CAM TO GIVE DOOR REQUIRED SILL CLEARANCE. ADJUST UPTHRUST ROLLERS TO CLEAR TRACK BY APPROXIMATELY 1/64 INCH.
 4. CHECK DOOR MISALIGNMENT IN OPENED AND CLOSED POSITION AND CORRECT IF REQUIRED. SEE FIGURE 2.
 5. IF REQUIRED, READJUST THE ECCENTRIC CAM TO GIVE DOOR REQUIRED SILL CLEARANCE.
 6. TIGHTEN ALL SCREWS.

REV	DESCRIPTION	DATE	ECN #
B	SWITCHED MODEL TO LEFT HAND ORIENTATION	10/17/2019	0368
A	INITIAL RELEASE	2/13/2018	0368

42" X 84" DOOR OPENING SHOWN

MONXT SINGLE SPEED HATCH DOOR ASSEMBLY		DRAWN BY
UNLESS OTHERWISE SPECIFIED DIMENSIONS ARE IN INCHES		C. FELIPE
THIRD ANGLE PROJECTION	DIMENSIONAL TOLERANCES	DATE
X.XX	±0.01	10/1/2019
X.XXX	±0.005	ENGINEER
X.XXXX	±0.0005	E. YANEZ
ANGULAR	±0.5°	SHEET 1 OF 1 REV: B
(X.XX) = X.XX REF. = REFERENCE ONLY	INSPECTION ID # DIMENSION	PART/DOCUMENT #
G.A.L. MANUFACTURING CO. 50 East 153rd St. Bronx, NY 10451 (718)292-9000 THIS DRAWING AND THE DESIGNS CONTAINED IN IT ARE THE SOLE PROPERTY OF G.A.L. MANUFACTURING CO. IT IS FURNISHED UNDER THE CONDITION THAT IT SHALL NOT BE COPIED, LOANED OR OTHERWISE DISTRIBUTED OR DISPOSED OF DIRECTLY OR INDIRECTLY, WITHOUT PRIOR WRITTEN PERMISSION.		8251-MONXT