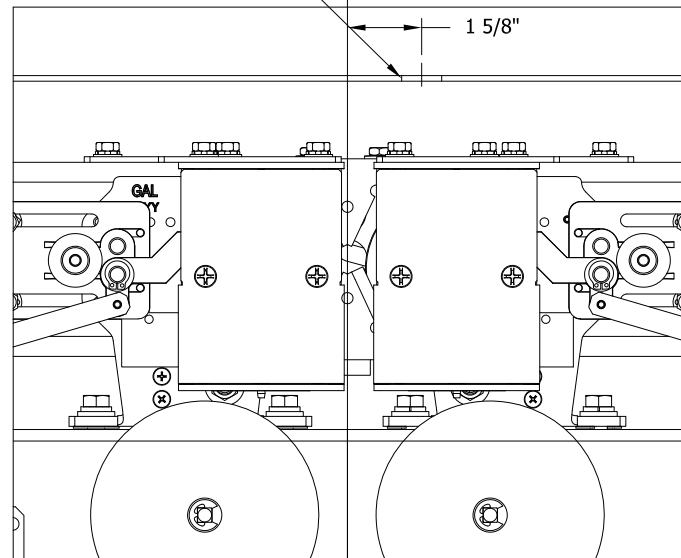


DIMENSION TABLE

DOOR OPENING	A	B	D	F	G	H	J
73	112	24	12 1/8	7 1/2	7	47 1/2	24
72	112	24	12 1/8	7 1/2	6 1/2	47 1/2	24
71	109	24	11 5/8	6	6	47 1/2	24
70	109	24	11 5/8	6	8	42	21 1/2
69	106	24	11 1/8	4 1/2	7 1/2	42	21 1/2
68	106	24	11 1/8	4 1/2	7	42	21 1/2
67	103	24	10 5/8	3	6 1/2	42	21 1/2
66	103	24	10 5/8	3	6	42	21 1/2
65	100	18	10 1/8	7 1/2	5 1/2	42	21 1/2
64	100	18	10 1/8	7 1/2	5	42	21 1/2
63	97	18	9 5/8	6	4 1/2	42	21 1/2
62	97	18	9 5/8	6	4	42	21 1/2



REV	DESCRIPTION	DATE	ECN #
A	INITIAL RELEASE	2/28/2020	0831

TWO SPEED CENTER OPENING HATCH DRILLINGS

UNLESS OTHERWISE SPECIFIED DIMENSIONS ARE IN INCHES
THIRD ANGLE PROJECTION

DIMENSIONAL TOLERANCES	
X.XX	±0.01
X.XXX	±0.005
X.XXXX	±0.0005
ANGULAR	±0.5°

(X.XX) = X.XX REF. = REFERENCE ONLY <INSPECTION ID # / DIMENSION>

G.A.L. MANUFACTURING CO.
50 East 153rd St. Bronx, NY 10451 (718)292-9000
THIS DRAWING AND THE DESIGNS CONTAINED IN IT ARE THE SOLE PROPERTY OF G.A.L. MANUFACTURING CO. IT IS FURNISHED UNDER THE CONDITION THAT IT SHALL NOT BE COPIED, LOANED OR OTHERWISE DISTRIBUTED OR DISPOSED OF, DIRECTLY OR INDIRECTLY, WITHOUT PRIOR WRITTEN PERMISSION.

DRAWN BY	SRB
DATE	2/28/2020
ENGINEER	E. YANEZ
SHEET 1 OF 1	REV: A
PART/DOCUMENT #	8244-MONXT

8244-MONXT