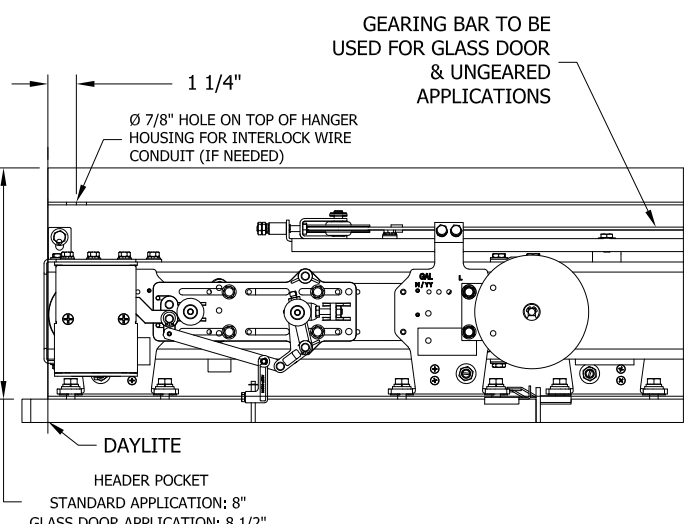


SPRING DOOR CLOSER DRILLINGS	
30-48 DOOR OPENING	3
49-72 DOOR OPENING	4 1/2

DIMENSION (IN)			
DOOR OPENING	J	G	H
72	35	17 1/2	72
71	35	18	72
70	35	18 1/2	72
69	35	19	72
68	35	19 1/2	72
67	35	20	72
66	33 1/2	16 1/2	69
65	33 1/2	17	69
64	33 1/2	17 1/2	69
63	33 1/2	18	69
62	33 1/2	18 1/2	69
61	33 1/2	19	69
60	33 1/2	14 1/2	70
59	33 1/2	15	70
58	33 1/2	15 1/2	70
57	33 1/2	16	70
56	33 1/2	16 1/2	70
55	33 1/2	17	70
54	35	11 1/2	71
53	35	12	71
52	35	12 1/2	71
51	29	10 1/2	58
50	29	11	58
49	29	11 1/2	58
48	25	12 1/2	50 1/2
47	25	13	50 1/2
46	25	13 1/2	50 1/2
45	25	14	50 1/2
44	23 1/2	11	46 1/2
43	23 1/2	11 1/2	46 1/2
42	23 1/2	12	46 1/2
41	23 1/2	12 1/2	46 1/2
40	24	9 1/2	47 1/2
39	24	10	47 1/2
38	24	10 1/2	47 1/2
37	24	11	47 1/2
36	24	11 1/2	47 1/2
35	21 1/2	9 1/2	42
34	21 1/2	10	42
33	21 1/2	10 1/2	42
32	21 1/2	11	42
31	21 1/2	11 1/2	42
30	21 1/2	12	42

DIMENSION TABLE (IN)					
DOOR OPENING	A	B	C	D	F
69-72	106	24	24	26 1/2	2
65-68	100	24	12	24 1/2	8
61-64	94	24	12	22 1/2	2
57-60	88	24	24	20 1/2	8
53-56	82	24	24	18 1/2	2
49-52	76	24	12	16 1/2	8
47-48	72	24	12	16 1/2	4
45-46	70	24	12	16 1/2	2
43-44	66	22	12	14 1/2	2
41-42	64	24	-	14 1/2	8
39-40	60	24	-	12 1/2	4
37-38	58	24	-	1/2	2
35-36	54	22	-	10 1/2	2
33-34	52	18	-	10 1/2	8
31-32	48	18	-	8 1/2	4
30	46	18	-	8 1/2	2



42" X 84" DOOR OPENING SHOWN

- AS SHOWN R.H.
- SYMMETRICALLY OPPOSITE L.H.
- DOOR HEIGHT
- JAMB HEIGHT

NOTES:
 1. INTERLOCK, PENDANT BOLT, EMERGENCY KEYHOLE AND HANGER DRILLINGS LOCATED FROM DAYLITE, REGARDLESS OF DOOR LAP SIZE. G.A.L. PREFERRED 3/4" LAP.

REV	DESCRIPTION	DATE	ECN #
B	SWITCHED MODEL TO LEFT HAND ORIENTATION	10/17/2019	0368
A	INITIAL RELEASE	2/2/2018	0368

MONXT TWO SPEED HATCH DRILLINGS

UNLESS OTHERWISE SPECIFIED DIMENSIONS ARE IN INCHES
 THIRD ANGLE PROJECTION DIMENSIONAL TOLERANCES
 X.XX ±0.01
 X.XXX ±0.005
 X.XXXX ±0.0005
 ANGULAR ±0.5°
 (X.XX) = X.XX REF. = REFERENCE ONLY (INSPECTION ID #) DIMENSION

DRAWN BY: C. FELIPE
 DATE: 10/3/2019
 ENGINEER: E. YANEZ

G.A.L. MANUFACTURING CO.
 50 East 153rd St. Bronx, NY 10451 (718)292-9000
 THIS DRAWING AND THE DESIGNS CONTAINED IN IT ARE THE SOLE PROPERTY OF G.A.L. MANUFACTURING CO. IT IS FURNISHED UNDER THE CONDITION THAT IT SHALL NOT BE COPIED, LOANED OR OTHERWISE DISTRIBUTED OR DISPOSED OF, DIRECTLY OR INDIRECTLY, WITHOUT PRIOR WRITTEN PERMISSION.

SHEET 1 OF 1 REV: A
 PART/DOCUMENT #
8242-MONXT