



A **VANTAGE** Company

**G.A.L. Manufacturing Company, LLC**

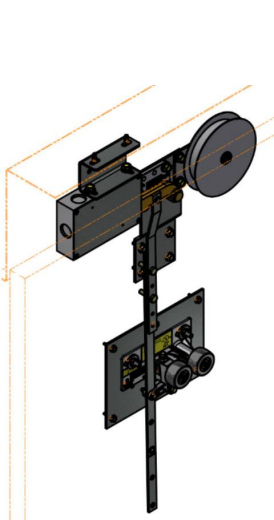
50 East 153<sup>rd</sup> Street, Bronx, N.Y. 10541

718.292.9000 || Info@GAL.com

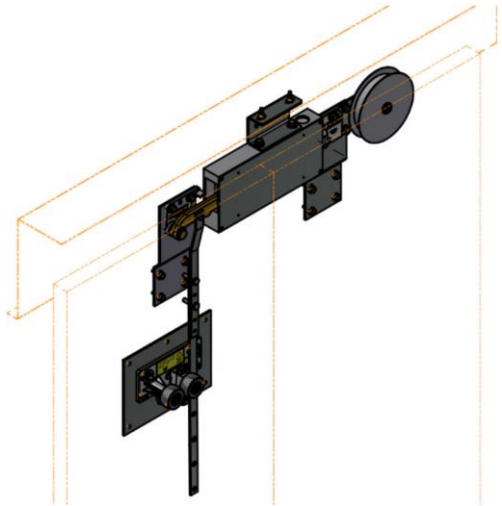
www.GAL.com

## **GAL Universal Interlock Mounting Kit**

*Designed for installing a GAL MOH or MOCPH Interlock System in Most Existing Hoistways*



MOH  
Interlock



MOCPH  
Interlock

## ***Installation Guide***

Rev A

# **GAL UNIVERSAL INTERLOCK MOUNTING KIT**

---

(intentionally left blank)

## Contents

Contents.....	1
1. Introduction .....	1
2. Kit Limitations .....	2
3. General Installation and Setup.....	4
3.1. Preliminary Steps.....	4
3.2. Release Roller Mounting .....	4
3.3. Side Slide Doors - Keeper & Lock Box Mounting .....	6
3.4. Center Parting Doors – Keeper & Lock Box Mounting .....	8

## 1. Introduction

This kit is designed to allow for easy installation of GAL interlocks where there are existing non-GAL hatch hanger assemblies. It provides all necessary hardware for installation.

**Note: These kits provide a General mounting solution for GAL components. It is not designed to mount other manufactures’ interlock. GAL interlocks are designed to **ONLY** work with GAL clutches.**

**This kit is not appropriate for certain door openings outlined in the next section.**

**2. Kit Limitations**

If the following conditions aren't met please contact GAL. Custom prints may be required and in extreme cases this kit may not be appropriate.

- Car and Hatch doors must be the same height
- Door height exceeds 87"

Door Style	Opening Width	Max. Header Pocket Height	Min. Header Pocket Depth*	Additional Document
Single Speed	22" – 60"	8 5/16"	3 11/16"	7878-201
Two Speed	30" – 60"	8 5/16"	5 11/16"	7878-202
Center Part	30" – 59"	8 5/16"	3 11/16"	7878-203

\*Assumed door thickness is 1 1/4". Otherwise 2 1/4" space is required from the face of the door.

Kit	Includes Reel Closer	SS	2SP	CP
KIT00-0201L/R	Yes	Yes	Yes*	No
KIT00-0202L/R	No	Yes	Yes	No
KIT00-0203N	Yes	No	No	Yes
KIT00-0204N	No	No	No	Yes

\* If an existing way of relating the fast and slow doors is being retained, this kit can be used.

**2.1. Single Speed Spring Closers**

**\*\*\*To order reel closers see KIT00-0201L/R. Closers are NOT part of KIT00-202L/R. To use Spring Closers see chart below.\*\*\***

GAL P/N	GAL Part Desc.
CL5-0001L/R	CLOSER, SS 22-27 DO
CL5-0002L/R	CLOSER, SS 28-35 DO
CL5-0003L/R	CLOSER, SS 36-40 DO
CL5-0004L/R	CLOSER, SS 41-44 DO
CL5-0005L/R	CLOSER, SS 45-48 DO

**2.2. Two Speed Spring Closers**

**\*\*\* To relate fast and slow doors, GAL sells Spring Closers that are opening specific. Closers are NOT provided as part of KIT00-0202L/R. See chart below if you wish to add closers to your order. \*\*\***

GAL P/N	GAL Part Desc.
CL5-0006L/R	CLOSER 2S 24 DO
CL5-0007L/R	CLOSER 2S 25 DO
CL5-0009L/R	CLOSER 2S 26-27 DO
CL5-0011L/R	CLOSER 2S 28-35 DO
CL5-0012L/R	CLOSER 2S 36-40 DO
CL5-0013L/R	CLOSER 2S 41-44 DO
CL5-0014L/R	CLOSER 2S 45-48 DO
CL5-0015L/R	CLOSER 2S 49-51 DO
CL5-0016L/R	CLOSER 2S 52-54 DO
CL5-0017L/R	CLOSER 2S 55-60 DO

**2.3. Center Parting Spring Closers**

**\*\*\* To order reel closers see KIT00-0203N. Closers are NOT provided as part of KIT00-0204N. To use Spring Closers see chart below.**

GAL P/N	GAL Part Desc.
CL5-0001R	CLOSER, CP 24-55 DO
CL5-0002R	CLOSER, CP 56-71 DO

## 3. General Installation and Setup

### 3.1. Preliminary Steps

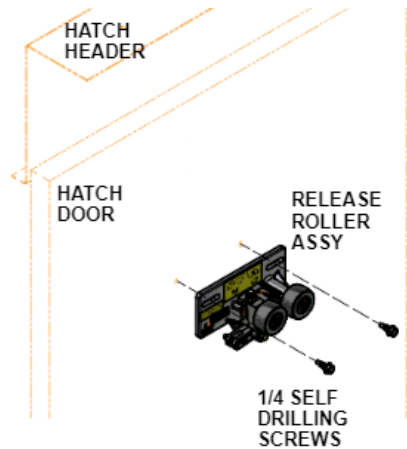
- Remove the car from service, in compliance with standard safety policies.
- Gain access to the hatch side equipment and remove existing interlocks.
- See drawings 7878-SS, 7878-2S, or 7878-CP for specific dimensions and a more detailed view of the final assembly.

### 3.2. Release Roller Mounting

- Determine if the reinforcement plate is required for installation.

#### 3.2.1. Mounting w/o the Reinforcement Plate

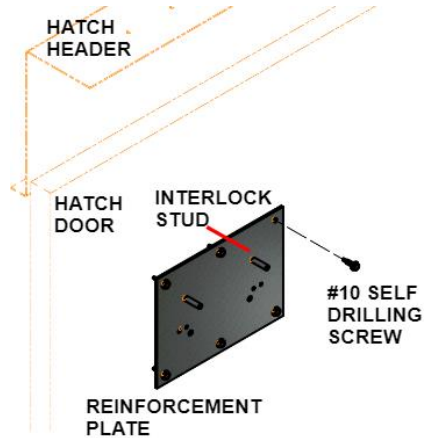
- Locate the mounting holes for the release rollers. Mark the location.
  - Refer to drawing 7878-SS for Single Speed
  - Refer to drawing 7878-2S for Two Speed
- Use 2 self-drilling  $\frac{1}{4}$  screws to secure the roller assembly to the door.
- OPTIONAL:
  - The Roller can be pinned with an additional #10 self-drilling screw to ensure that it cannot move.



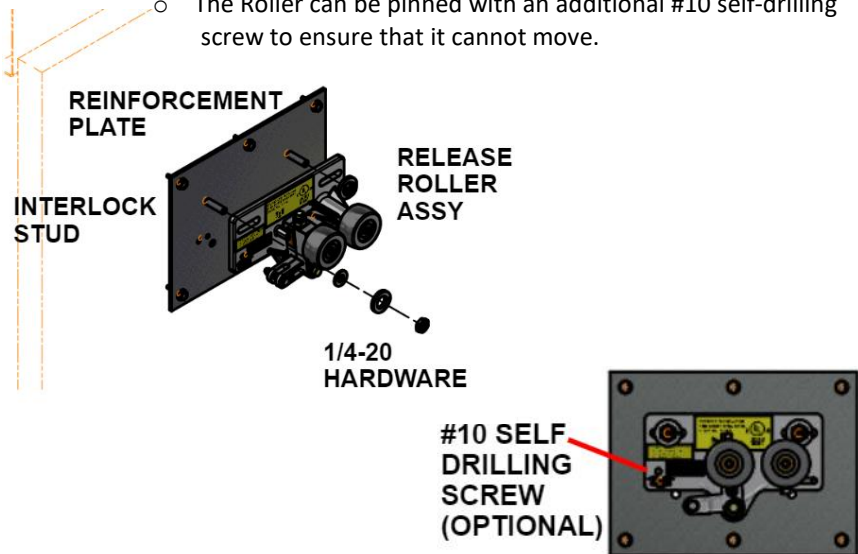
**#10 SELF DRILLING SCREW (OPTIONAL)**

## 3.2.2. Mounting with the Reinforcement Plate

- Locate where the interlock studs on the reinforcement plate should go. (The mounting for the roller assembly itself).
  - Refer to drawing 7878-SS for Single Speed
  - Refer to drawing 7878-2S for Two Speed
- Mark the 6 holes used to mount the reinforcement plate.
- Use 6 self-drilling #10 screws to secure the plate to the door.
- Mount the release roller to the plate stud, securing it with the 1/4-20 hardware provided.
- OPTIONAL:



- The Roller can be pinned with an additional #10 self-drilling screw to ensure that it cannot move.



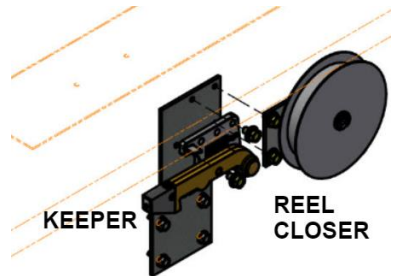
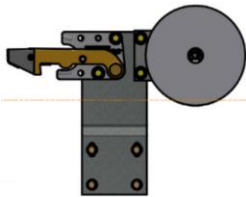
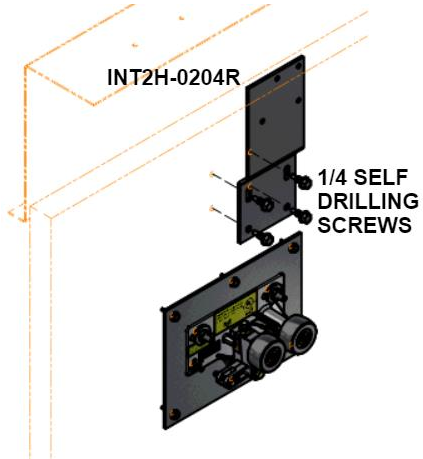
## 3.3. Side Slide Doors - Keeper & Lock Box Mounting



INT2H-0204R/L  
RH SHOWN  
LH OPPOSITE

- See 7878-SS & 7878-2S drawings for more precise illustrations and locations of below components.
- Locate the mounting holes for the keeper plate
  - The top hole should be 3 ½" from the top of the hatch header.
  - The 1<sup>st</sup> hole of the plate needs to be at least 8 ¼" from daylight to make sure there is enough room for the lock box.

- Use 2 self drilling ¼" screws to secure the plate.
  - Note: If unsure of the final location of the keeper, only use the top 2 slots now and all 4 screws at the end.
- Secure the keeper and reel closer (if KIT00-0201L/R is used) to the plate.



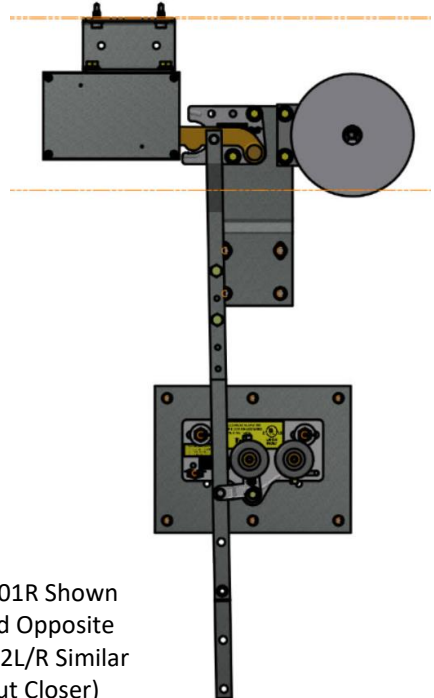
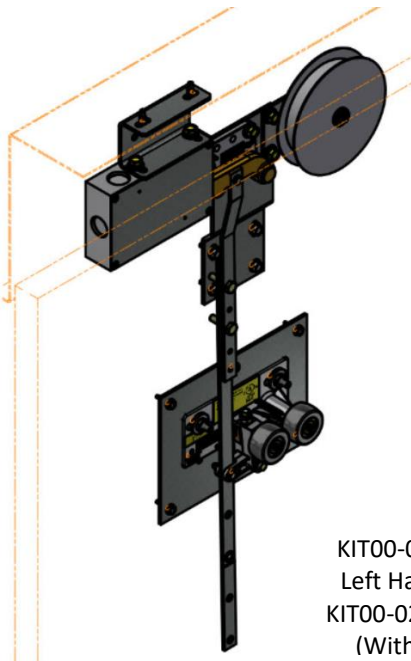
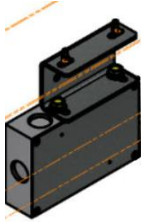


# GAL UNIVERSAL INTERLOCK MOUNTING KIT

- Use 2 self drilling ¼" screws to mount the C channel (INT2H-0053N) to the top of the hatch header..



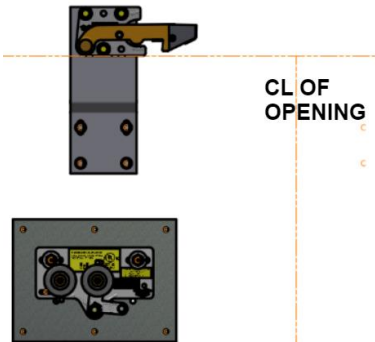
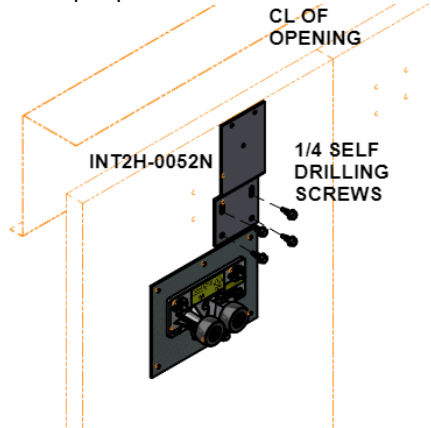
- Mount the lock box to the C channel
  - Connect the upper and lower link. To pick the correct lower link:
    - B link:  $10 \leq E \leq 18$
    - D link:  $18 \leq E \leq 26$



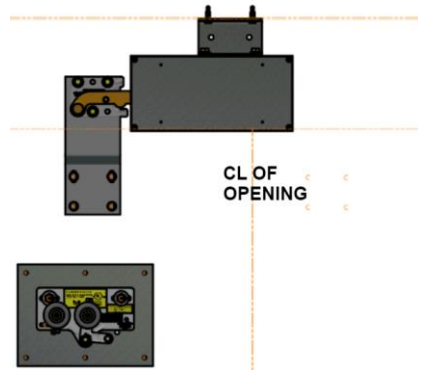
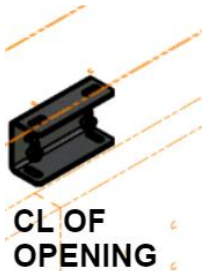
KIT00-0201R Shown  
Left Hand Opposite  
KIT00-0202L/R Similar  
(Without Closer)

## 3.4. Center Parting Doors – Keeper & Lock Box Mounting

- Locate the mounting holes for the keeper plate on the left-hand door.
  - MO (left door) keeper plate – INT2H-0052N.
  - See drawing 7878-CP for precise location.
- Use 4 self drilling 1/4" screws to secure the plate.
  - Note: If unsure of the final location of the keeper, only use the top 2 slots now and all 4 screws at the end.

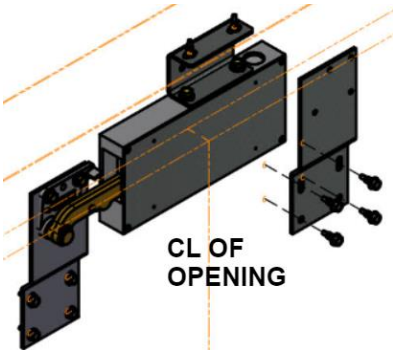


- Secure the keeper to the plate.
- Use 2 self drilling 1/4" screws to mount the C channel (INT2H-0053N) to the top of the hatch header.
- Mount the lock box to the C-channel

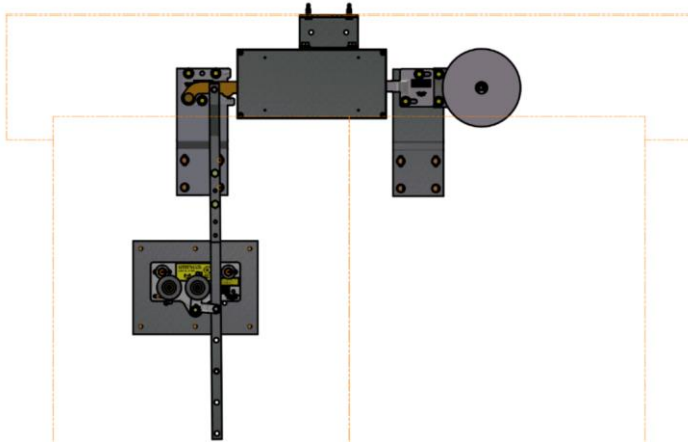


Locate the mounting holes for the right-hand door keeper plate.  
INT2H-0204R

- Similar installation procedure to the left-hand door
- Note new distance from CL



- Secure the stationary keeper and reel closer to the plate.
- Refer to 7878-CP for more specific dimensions.
- Connect the upper and lower link. To pick the correct lower link:
  - B link:  $10 \leq E \leq 18$
  - D link:  $18 \leq E \leq 26$



KIT00-0203N Shown  
KIT00-0204N Similar  
(Without Closer)