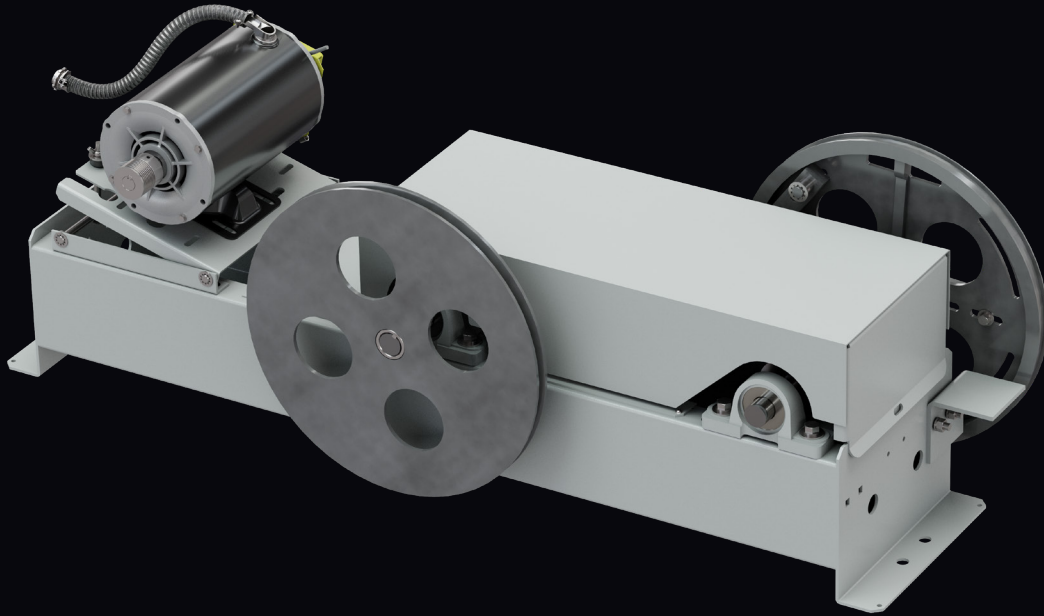


# Conversion Kit: OTIS OVL to MOVFE-HH



## PRE-ENGINEERED GAL CONVERSION BOLT ON KIT for the OTIS OVL Series Operators

When it comes to modernizations, saving time and money is key. With the OVL series, when the robust drive arm assemblies are in good shape, there is an opportunity for savings.

GAL's OVL conversion kit allows you to retain the drive arm assemblies and replace only the operator with the Heavy Duty MOVFE-HH Heavy Harmonic. You can now keep the things that were working, and upgrade to a quality operator from GAL.

### BENEFITS

---

- Identical mechanical profile to the existing operator
- Used on the Otis OVL-NAO, HP and HPM series
- Only specify the Operator type, Hand and voltage - no surveys
- These Kits allow the retention of the existing drive arms, hangers clutches, interlocks
- Conversion can be performed very quickly and easily
- CSA/UL Certified where applicable
- 115 VAC and 230 VAC available

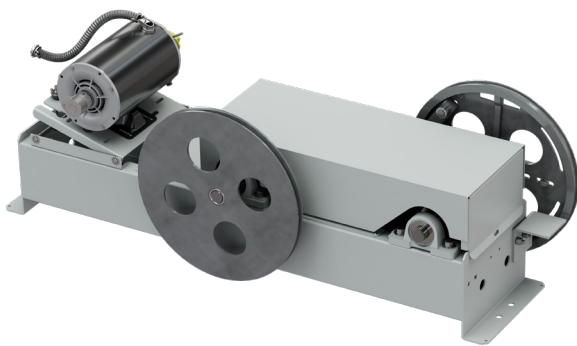


## MODERNIZATION KITS

KIT	SS	2SP	CP	VOLTAGE
KIT04-4001R	Yes	Yes	No	115VAC
KIT04-4001L	Yes	Yes	Yes	115VAC
KIT04-4002R	Yes	Yes	No	230VAC
KIT04-4002L	Yes	Yes	Yes	230VAC

## CONTENTS OF EACH KIT

**MOVFE-HH Operator**



**Crank Arm Adaptor**



**INSTALLATION  
 MANUAL**

**Scan the QR code  
 to checkout our  
 other Mod Kits**

