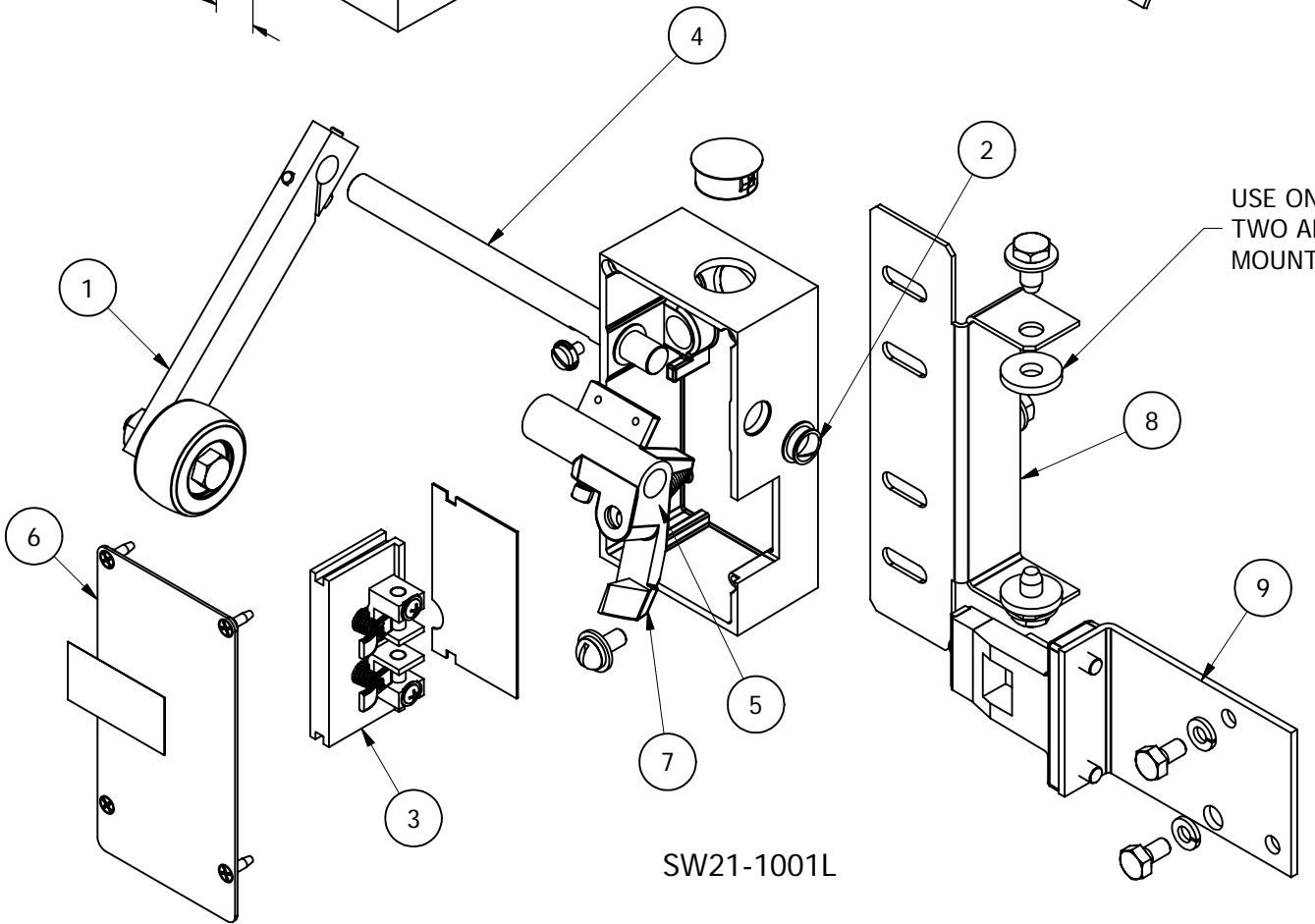
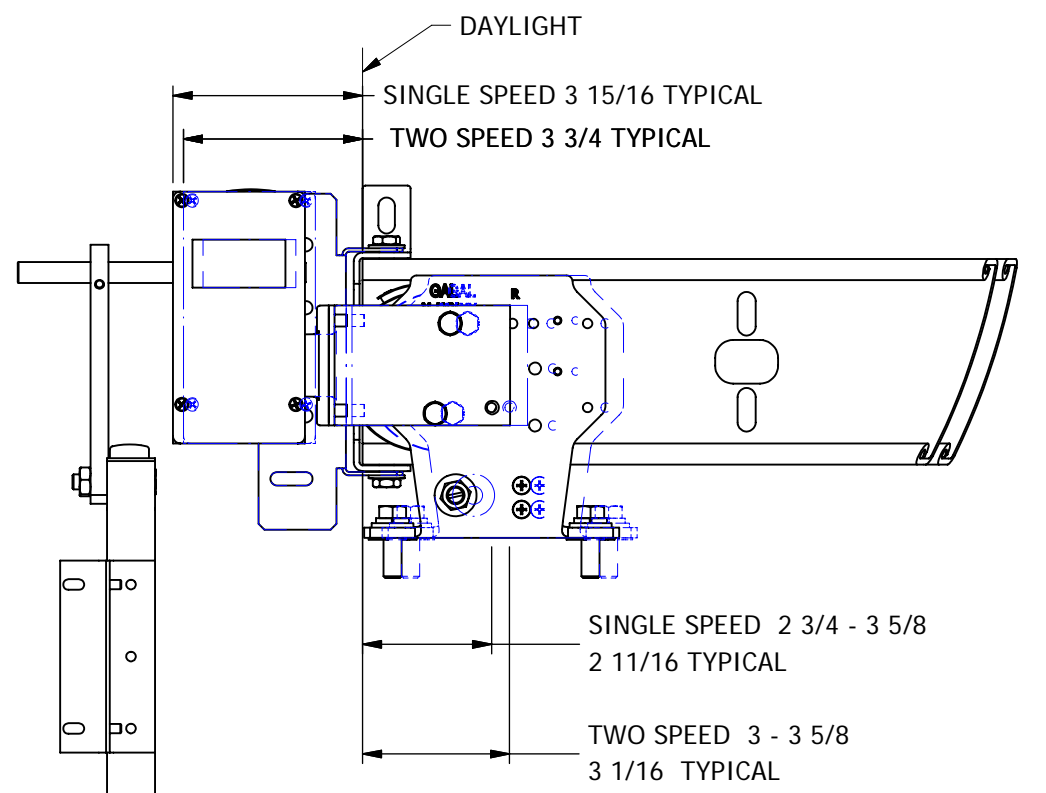
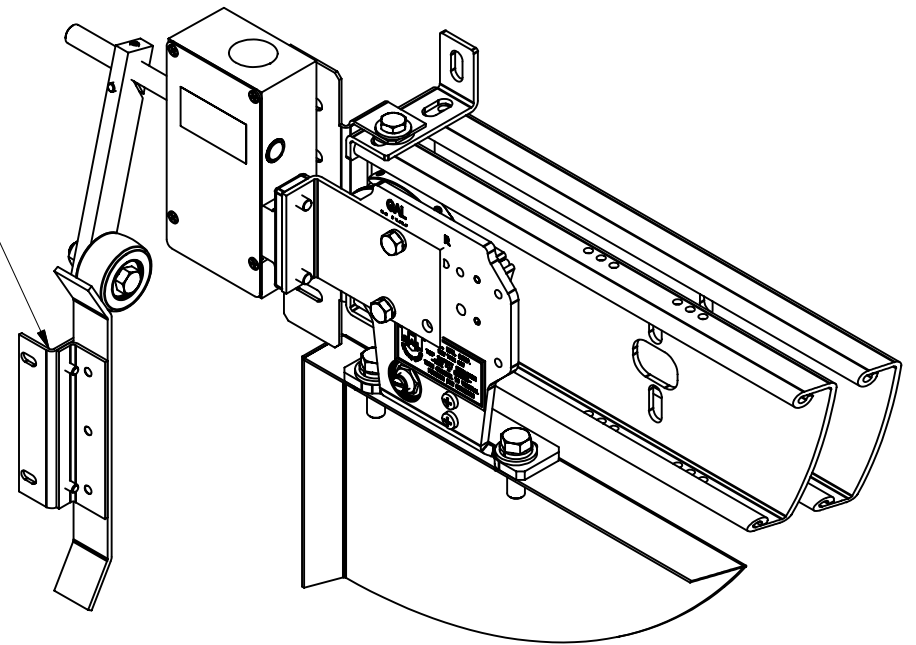
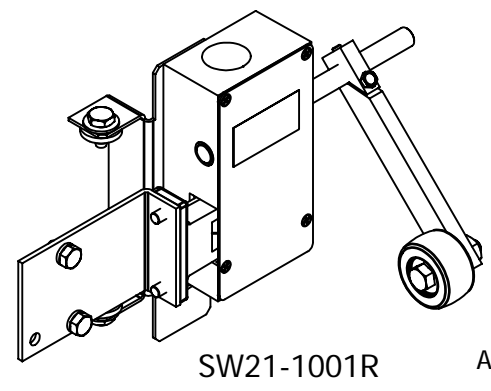


ZLK-0003N ZONE CAM
SOLD SEPARATELY
ONE PER LANDING

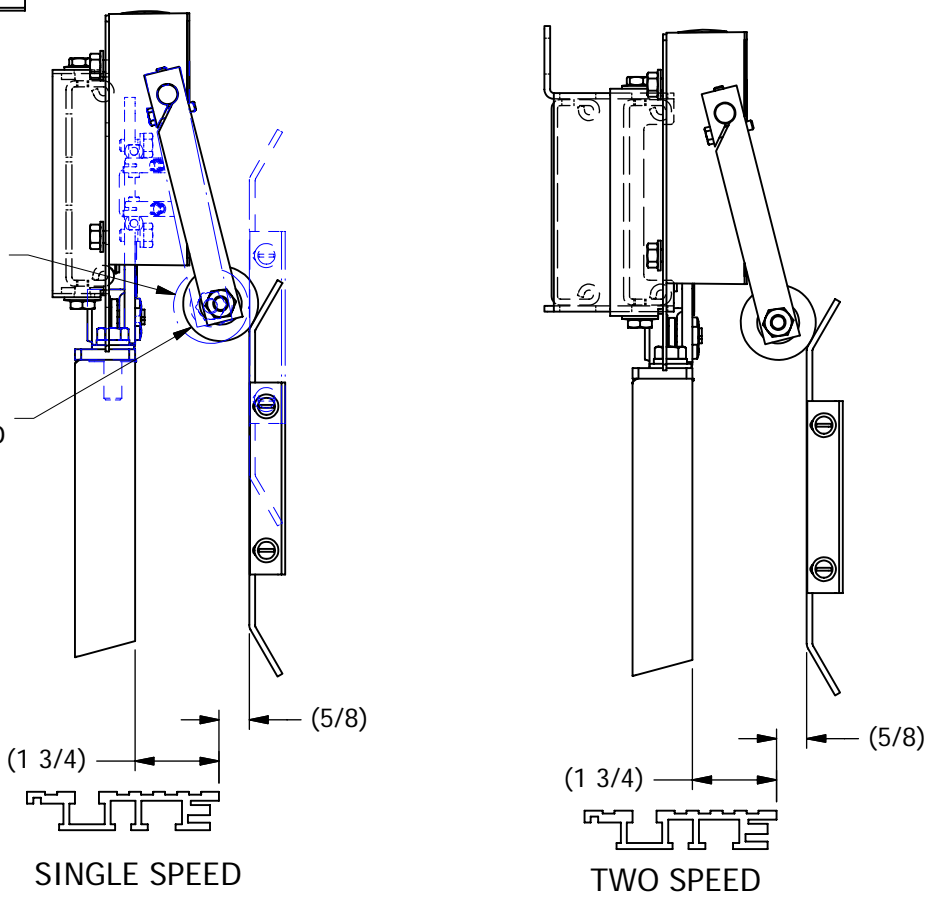


USE ON SINGLE SPEED DOORS.
TWO AND THREE SPEED DOORS
MOUNT OVER TRACK END BRACKET

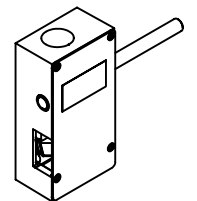
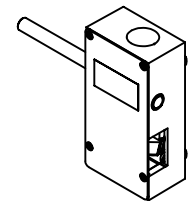


SN-Z UNLOCKED
DOOR CAN OPEN

DOOR FULLY CLOSED,
ARM PARTIALLY RETRACTED



ITEM	QTY	PART NUMBER	DESCRIPTION
1	1	INT5-0025N	ARM & ROLLER, 4 1/2" CL
2	2	HWBS-0012N	BUSHING,TYPE 7 SNAP IN NYLINER 7/16" ID
3	1	INT22-0022N	CONTACT ASSEMBLY, N/NHA INTERLOCK LOWER
4	1	SHF-0199N	SHAFT, 6 INCH "SN-Z"
5	1	SPG-0030N	SPRING,1 7/8" LG x 13/32" OD-0.050 WIRE
6	1	SW21-9001N	COVER ASSEMBLY
7	1	ZLK1-0004L/R	ASSEMBLY, SN-Z CAR DOOR LOCKING CAM
8	1	SW21-9005N	"SN-Z" MOUNTING BRACKET
9	1	SW21-9006L/R	KEEPER, SN-Z ZONE LOCK CAR DOOR



TYPE "SN-Z" LOCK AND ELECTRIC CONTACT

UNLESS OTHERWISE SPECIFIED DIMENSIONS ARE IN INCHES ---- (X.XX) = X.XX REF. = REFERENCE ONLY

G.A.L. MANUFACTURING CORP.
50 East 153rd St. Bronx, NY 10451 (718)292-9000

SHEET 1 OF 1 REV: B
PART/DOCUMENT #
8715-10

DRAWING: 8715-10.idw
MODEL: SW21-1000L.iam

8715-10 TYPE "SN-Z" LOCK AND ELECTRIC CONTACT