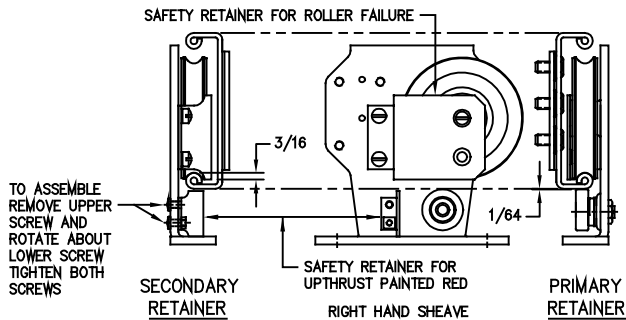


FIG. 3



\* NOTE KEEPER SETTING  
- DETAIL "A" -

- WARNING -

G.A.L. PROPRIETARY INFORMATION  
REPRODUCTION AND/OR USE OF ALL OR ANY PART OF THIS (THESE) PAGE(S) OR DRAWING(S) OR THE INFORMATION HEREIN, WITHOUT THE EXPRESS PERMISSION OF G.A.L. MANUFACTURING CORPORATION IS STRICTLY PROHIBITED BY LAW.  
- VIOLATORS WILL BE PROSECUTED -

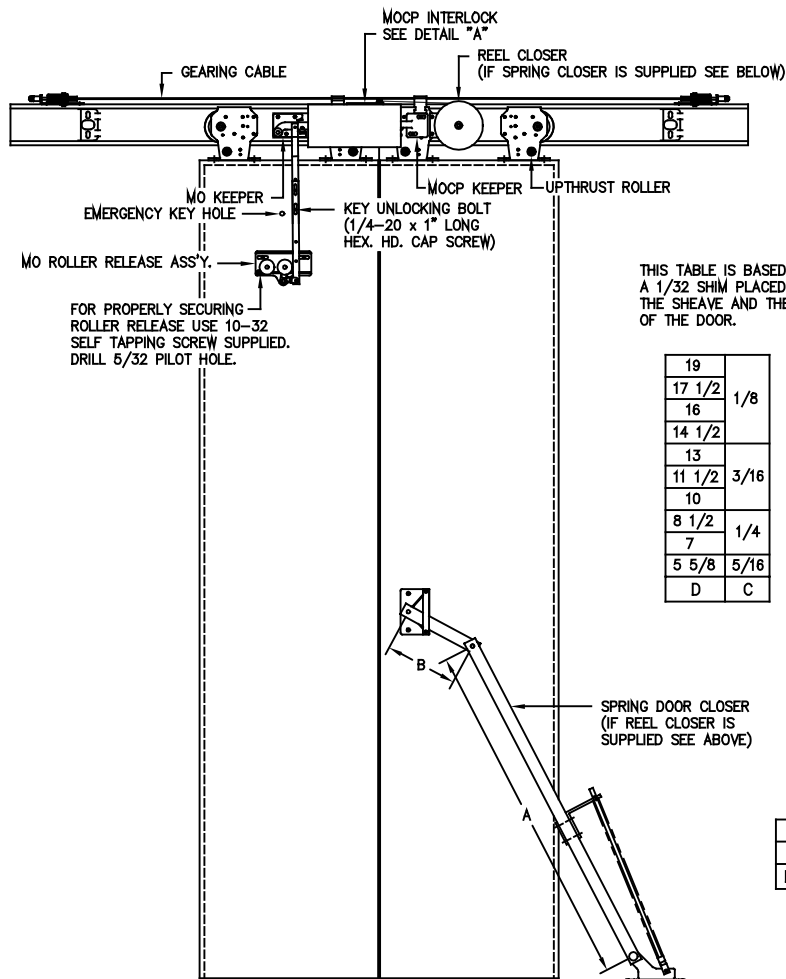
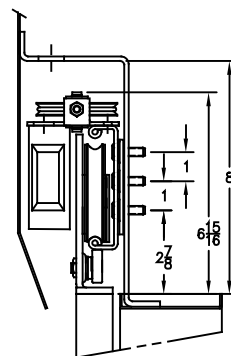
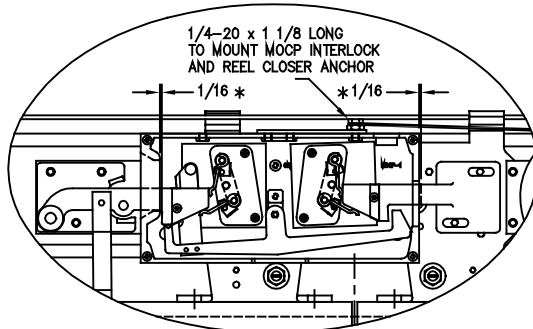


FIG. 1

TO CORRECT DOOR MISALIGNMENT

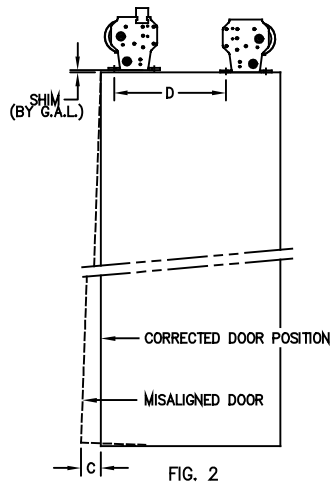


FIG. 2

THIS TABLE IS BASED ON A 1/32 SHIM PLACED BETWEEN THE SHEAVE AND THE TOP OF THE DOOR.

19		
17 1/2	1/8	
16		
14 1/2		
13		
11 1/2	3/16	
10		
8 1/2	1/4	
7		
5 5/8	5/16	
D	C	

56-59	42	9
24-55	36	7 1/2
DOOR OPNG.	A	B

INSTALLATION INSTRUCTIONS

- 1.- REMOVE PAINT FROM TRACK SURFACE WHERE THE HANGER ROLLER WILL RUN.
- 2.- MOUNT HANGERS TO DOOR WITH UPTHRUST ROLLERS IN LOWEST POSITION.
- 3.- MOUNT TRACK TO HEADER AND SET ECCENTRIC CAM SO THAT THE TRACK IS IN THE LOWEST POSITION. HAND TIGHTEN ALL SCREWS. FIG. 3
- 4.- HANG DOOR ON TRACK AND ROTATE ECCENTRIC CAM TO GIVE DOOR REQUIRED SILL CLEARANCE. ADJUST UPTHRUST ROLLERS TO CLEAR TRACK BY APPROXIMATELY 1/64 INCH.
- 5.- CHECK DOOR MISALIGNMENT IN OPENED AND CLOSED POSITION AND CORRECT IF REQUIRED. FIG. 2
- 6.- IF REQUIRED, READJUST THE ECCENTRIC CAM TO GIVE DOOR REQUIRED SILL CLEARANCE.
- 7.- TIGHTEN ALL SCREWS.

36 x 84 DOOR OPENING SHOWN



G.A.L. MANUFACTURING CORP.  
50 E. 163rd STREET BROOK, N.Y. 10461

CENTER OPENING HATCH DOOR ASSEMBLY  
TYPE "A" HANGER WITH SPRING OR REEL CLOSER 24-59 D.O.

SCALE 5/64 DATE 11-3-94

DWG. BY CHK. BY 8253

No.	REVISION	DATE/CHK.